

MODEL : LU-2810/LU-28107/LU-2860/LU-2860-7/  
LU-2818-7/LU-2868-7/LU-2810-7/X73178  
List No: 1677-00

## PARTS LIST

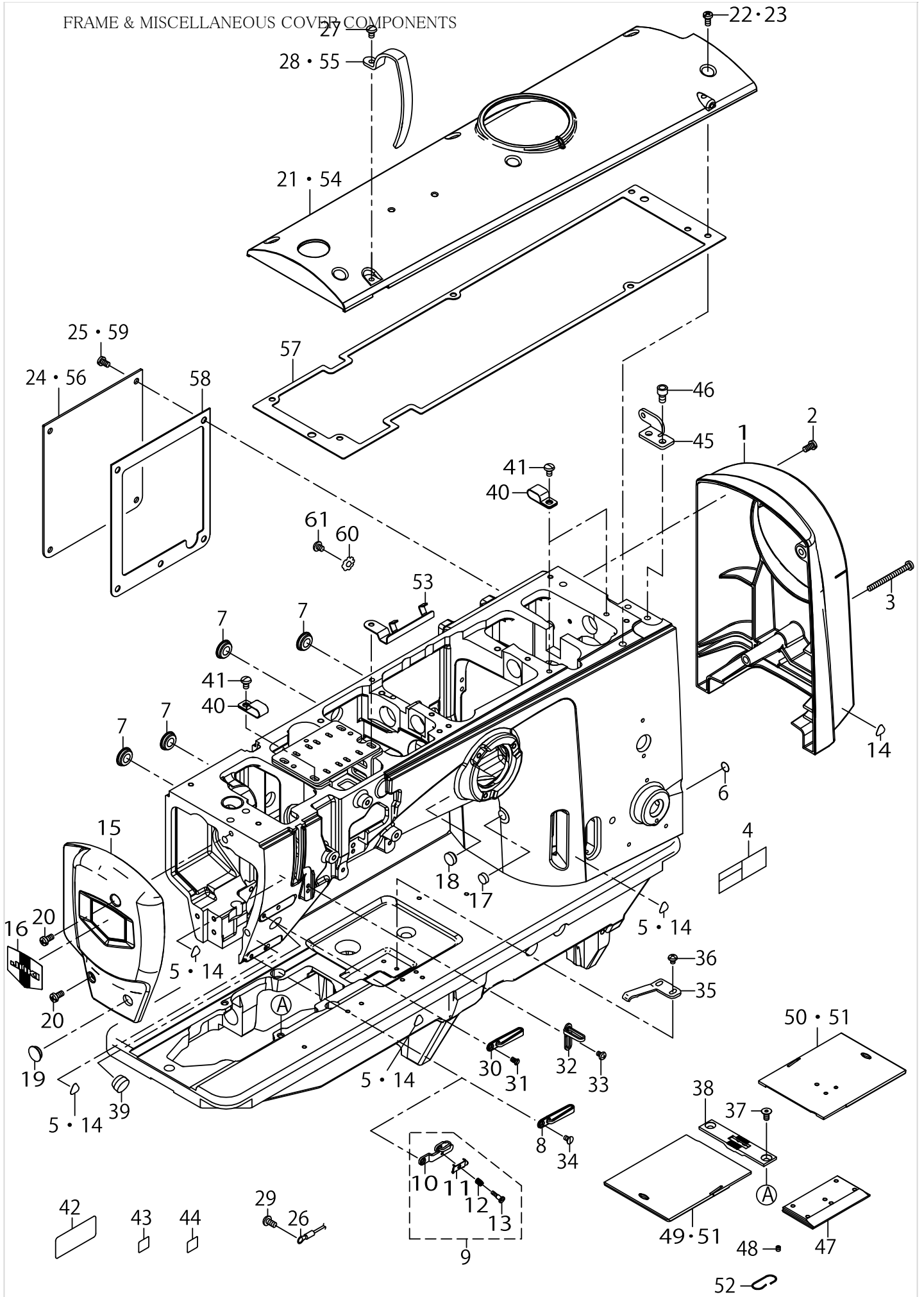
Published:08/22/2016

## CONTENTS

---

FRAME & MISCELLANEOUS COVER COMPONENTS .....	1
MAIN SHAFT & THREAD TAKE-UP LEVER COMPONENTS .....	5
NEEDLE BAR COMPONENTS .....	7
LOWER SHAFT COMPONENTS.....	9
OPENNER COMPONENTS .....	13
HOOK COMPONENTS.....	15
UPPER FEED COMPONENTS.....	19
HAND LIFTER & AUTO LIFTER COMPONENTS.....	23
KNEE LIFTER COMPONENTS (FOR LU-2810,2860).....	25
LOWER FEED COMPONENTS.....	27
FEED ADJUST COMPONENTS (FOR LU-2810,2860,2810-7,2860-7,2810-7/X73178).....	31
FEED ADJUST COMPONENTS (FOR LU-2818-7,2868-7) .....	35
DL COMPONENTS (FOR LU-2810-7,2860-7,2818-7,2868-7,2810-7/X73178).....	39
AUTO BT COMPONENTS (FOR LU-2810-7,2860-7,2810-7/X73178).....	41
AUTO BT COMPONENTS (FOR LU-2818-7,2868-7) .....	43
6-RANGE SW COMPONENTS (FOR LU-2810-7,2860-7,2818-7,2868-7,2810-7/X73178).....	45
SPEED ADJUST COMPONENTS (FOR LU-2810-7,2860-7,2818-7,2868-7,2810-7/X73178).....	47
THREAD CUTTING COMPONENTS (FOR LU-2810-7,2860-7,2818-7,2868-7,2810-7/X73178).....	49
CONDENSE COMPONENTS (FOR LU-2818-7,2868-7).....	53
THREAD TENSION COMPONENTS (FOR LU-2810,2810-7,2818-7,2810-7/X73178).....	55
THREAD TENSION COMPONENTS (FOR LU-2860,2860-7,2868-7) .....	57
TENSION RELEASE COMPONENTS (FOR LU-2810-7,2860-7,2818-7,2868-7,2810-7/X73178).....	59
PNEUMATIC COMPONENTS (FOR LU-2810-7,2860-7,2818-7,2868-7,2810-7/X73178).....	61
BOBBIN WINDER COMPONENTS.....	63
LUBRICATION COMPONENTS (FOR LU-2810,2810-7,2818-7,2810-7/X73178).....	65
LUBRICATION COMPONENTS (FOR LU-2860,2860-7,2868-7) .....	69
THREAD STAND COMPONENTS (FOR LU-2810,2810-7,2818-7,2810-7/X73178).....	73
THREAD STAND COMPONENTS (FOR LU-2860,2860-7,2868-7).....	75
BOTTOM COVER & BELT COVER COMPONENTS .....	77
ACCESSORIES PARTS COMPONENTS .....	79
TABLE OF EXCHANGING GAUGE PARTS (FOR LU-2810,2810-7,2818-7).....	81
SUSPENSION SQUARE COMPONENTS (OPTIONAL PARTS) .....	83

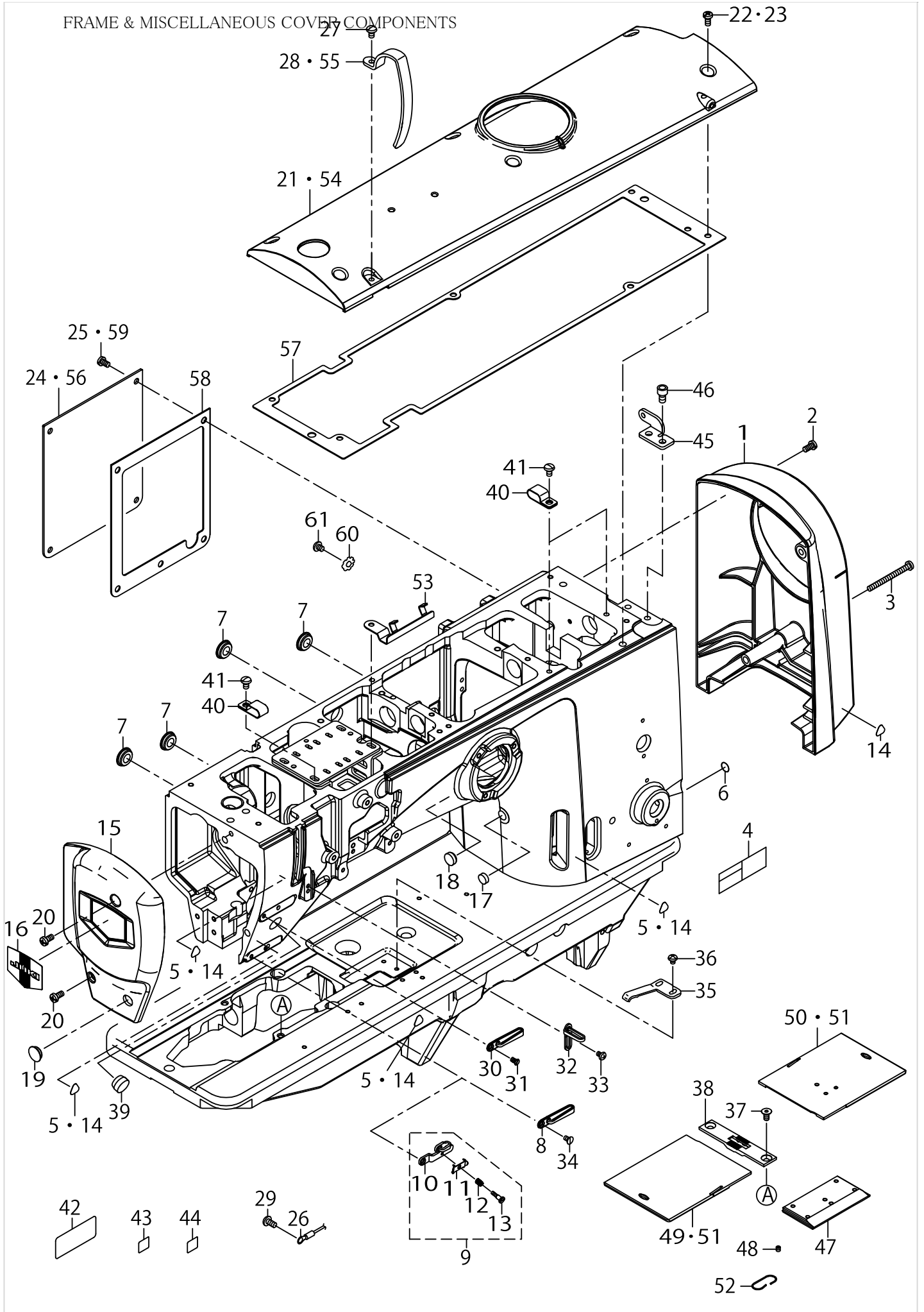
FRAME & MISCELLANEOUS COVER COMPONENTS



FRAME & MISCELLANEOUS COVER COMPONENTS

No.	C- ons	Le- vel	Parts No.	Replacement	Supply Code	Parts name	Qty	R- ep. Q- TY	Status	Spec	Remarks
1			40130705			MOTOR_COVER	1				FOR LU-2810-7
2			SM4051055SP			SCREW	2				FOR LU-2810-7
3			SM4055501SC			SCREW M5X0.8 L=55	1				FOR LU-2810-7
4			40102261			SAFETY_LABEL_S	1				
5			CM300200001			ATTENTION SEAL	4				FOR LU-2810,28
6			22901805			GROUND MARK	1				
7			TA1650406R0			PRUG	4				
8			40084142			THREAD_GUIDE_LOWER	1				FOR LU-2810,28
9			40034675			THREAD_GUIDE_ASM_E	1				FOR LU-2810-7
10		*	40034674			THREAD_GUIDE	1				
11		*	40042716			THREAD_PRESSER_PLATE	1				
12		*	B1132521000			THREAD PRESSER PLATE S	1				
13		*	SD0380556TL			SHOULDER SCREW D=3.8 F	1				
14			CM300200001			ATTENTION SEAL	5				FOR LU-2810-7
15			40130704			FACE_PLATE	1				
16			22902506			FACE PLATE	1				
17			TA1030402R0			RUBBER PLUG D=10.3 L=4	1				
18			TA1270502R0			RUBBER PLUG	1				
19			TA1250406R0			RUBBER PLUG D=12.5 L=4	1				
20			SM4051055SP			SCREW	2				
21			40130706			TOP_COVER	1				FOR LU-2810,28
22			SM4051055SP			SCREW	6				FOR LU-2810-7
23			SM4051055SP			SCREW	9				FOR LU-2810,28
24			40130703			APERTURE_COVER	1				FOR LU-2810,28
25			SM4050855SP			SCREW	4				FOR LU-2810,28
26			22951552			GROUND WIRE ASM.	1				FOR LU-2810-7
27			SM4040855SP			SCREW	1				
28			23600505			THREAD TAKE-UP LEVER	1				FOR LU-2810,28
29			SM4051055SP			SCREW	1				FOR LU-2810-7
30			40084142			THREAD_GUIDE_LOWER	1				
31			SM1040750TP			SCREW M4 L=7	1				
32			40126221			THREAD_GUIDE	1				
33			SM4040655SP			SCREW M4 L=6	1				
34			SM1040750TP			SCREW M4 L=7	1				
35			B1111563000			BED SLIDE SPRING	1				
36			SM4040655SP			SCREW M4 L=6	2				
37			SM1051052TN			PLATE SCREW M5 L=10	2				
38			40126349			THROAT_PLATE_2810	1				EXCHANGING C
39			TA1550902R0			PLUG	1				
40			D2112555B00			CORD HOLDER LARGE	3				FOR LU-2810-7
41			SM4050855SP			SCREW	2				FOR LU-2810-7
42			40094561		Disconinue	SEWING MACHINE LABEL	1				FOR JE
43			CM600100101			WEEE MARK LABEL S	1				FOR JE
44			40150131			EAC_MARK_LABEL_S	1				FOR JE
45			40112277			PLATE	1				FOR LU-2810,28
46			SM6061002TP			SCREW M6 L=10	2				FOR LU-2810,28
47			40147918			SLIDE_PLATE_FRONT	1				EXCHANGING C
48			SM8040412TP			SET SCREW M4 L=4	1				FOR LU-2810A,
49			40112224			SLIDE_PLATE_2810L	2				EXCHANGING C
50			40112225			SLIDE_PLATE_2810R	1				EXCHANGING C
51			40127056			SLIDE_PLATE_2860R	1				EXCHANGING C
52			B111105100B			SPRING	1				FOR LU-2810A,
53			40134805			CABLE HOLDER	1				FOR LU-2810-7
54			40148283			TOP COVER LP	1				FOR LU-2818-7
55			40134834			THREAD TAKE_UP_LEVER	1				FOR LU-2818-7
56			40129995			APERTURE_COVER	1				FOR LU-2818-7
57			40147919			TOP_COVER_PACKING	1				
58			40151799			WINDOW_PLATE_PACKING	1				
59			SM4051055SP			SCREW	5				FOR LU-2818-7
60			WT0530002KS			TOOTHED WASHER D=5.3	1				FOR LU-2810,28

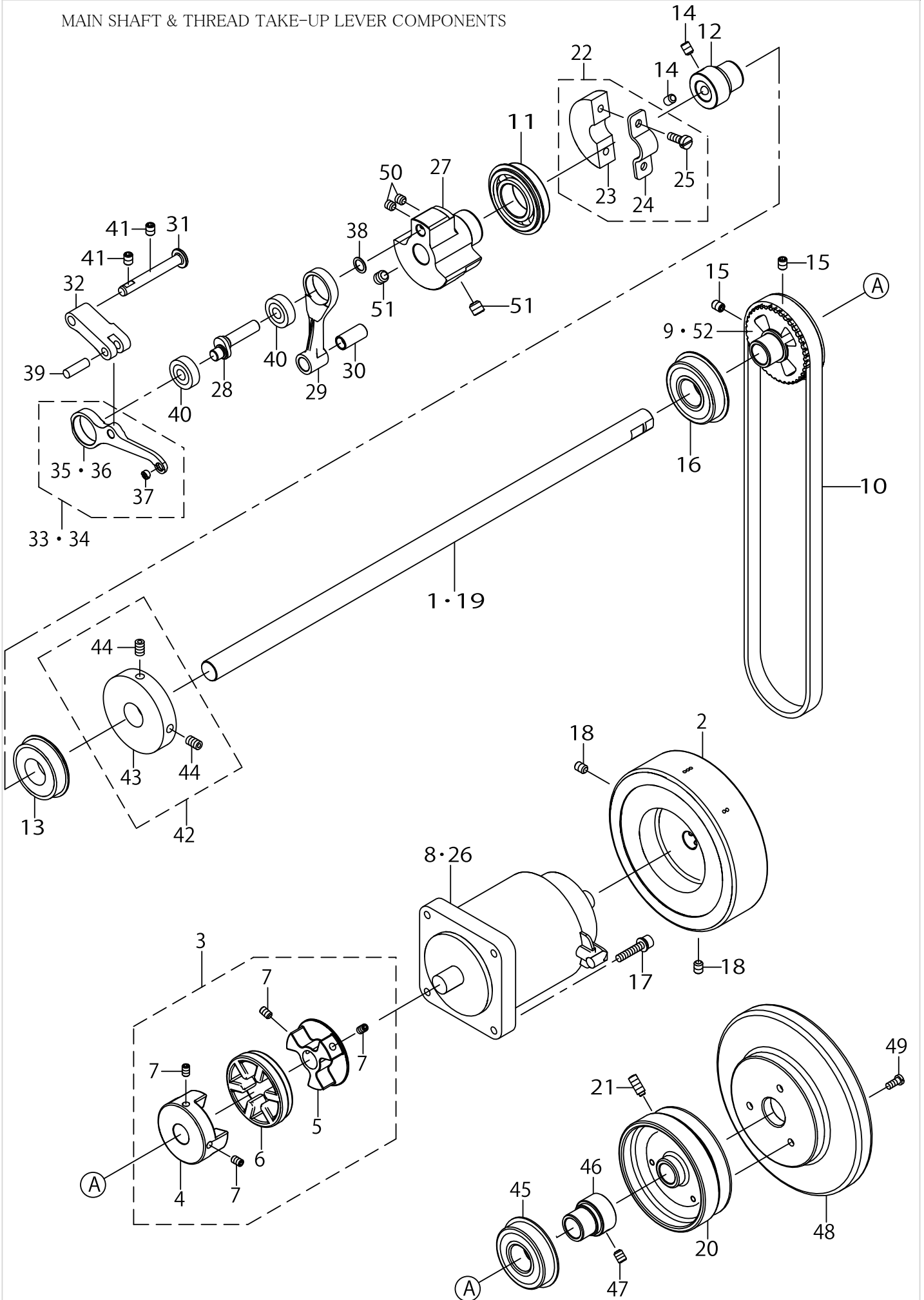
FRAME & MISCELLANEOUS COVER COMPONENTS



FRAME & MISCELLANEOUS COVER COMPONENTS

No.	C- ons	Le- vel	Parts No.	Replacement	Supply Code	Parts name	Qty	R- ep- Q- TY	Status	Spec	Remarks
61			SM4050655SP			SCREW M5 L=6	1				FOR LU-2810,28

MAIN SHAFT & THREAD TAKE-UP LEVER COMPONENTS

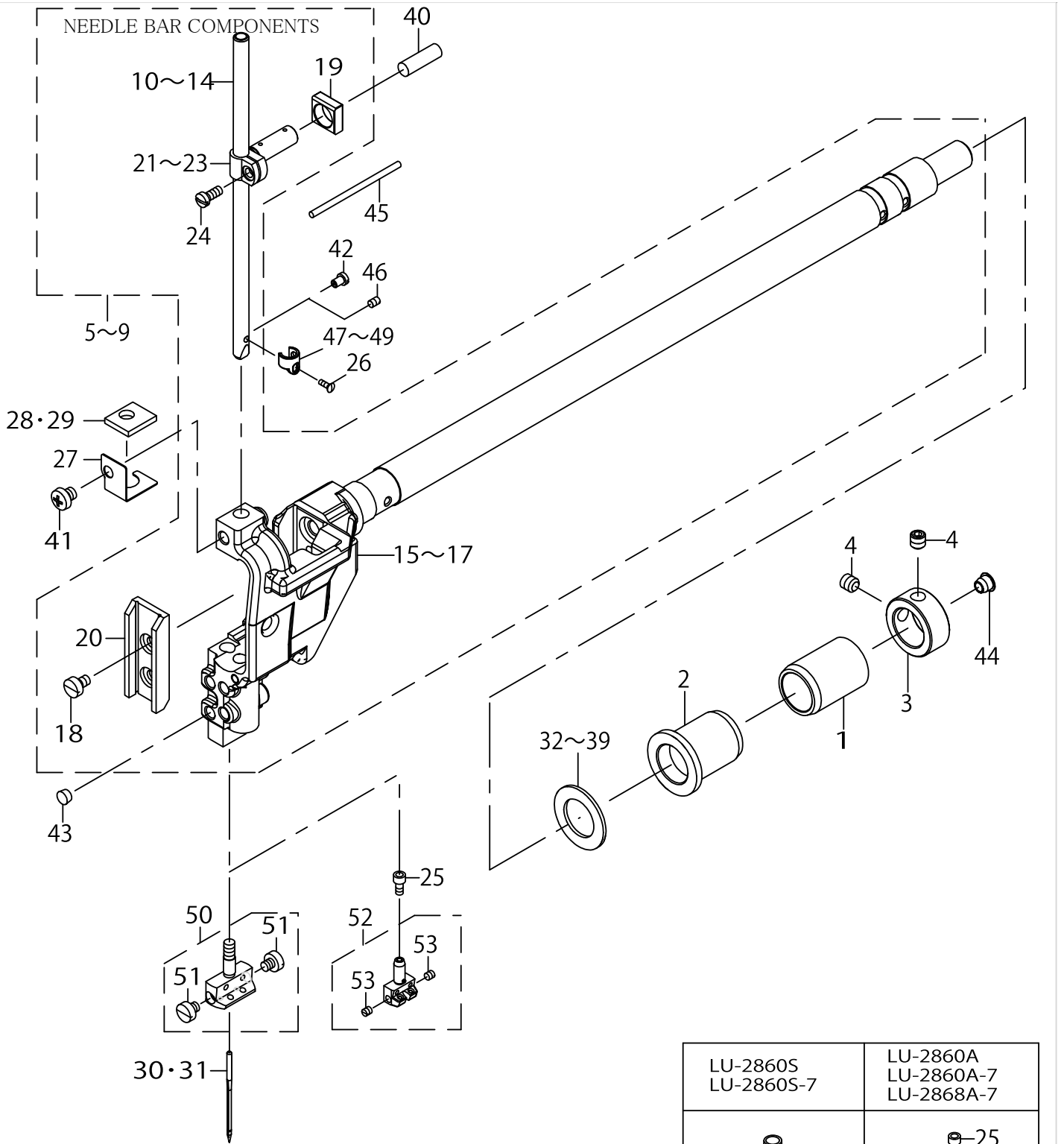


MAIN SHAFT & THREAD TAKE-UP LEVER COMPONENTS

No.	C- ons	Le- vel	Parts No.	Replacement	Supply Code	Parts name	Qty	R- ep. Q- TY	Status	Spec	Remarks
1			40112087			MAIN_SHAFT_DD	1				FOR LU-2810-7
2			40130702			HAND_WHEEL	1				FOR LU-2810-7
3			40112312			COUPLING_ASSY	1				FOR LU-2810-7
4		*	40130277	40112312		HUB_L	1	1.00			FOR LU-2810-7
5		*	40112106			HUB_R	1				FOR LU-2810-7
6		*	40125950	40112312		SPIDER	1	1.00			FOR LU-2810-7
7		*	SM8050812TP			SCREW M5X8	4				FOR LU-2810-7
8			40151488			SERVO_MOTOR_550W	1				FOR LU-2810-7
9			40126321			SPROCKET_UPPER	1				FOR LU-2810-7
10	☆		40112274			TIMING_BELT	1				
11			40143083			BUSHING	1				
12			23605207			MAIN_SHAFT BEARING SUF	1				
13			SB120001800			BEARING	1				
14			SM80608A2TP			SCREW M6 L=8	2				
15			SM8060812TP			SCREW M6 L=8	2				
16			40143088			BEARING	1				FOR LU-2810-7
17			SL6052592TN			BOLT	4				FOR LU-2810-7
18			SM8060812TP			SCREW M6 L=8	2				FOR LU-2810-7
19			40112088			MAIN_SHAFT	1				FOR LU-2810,28
20			40112299			HAND_WHEEL_A	1				FOR LU-2810,28
21			SS8151550SP			SCREW 15/64-28 L=15	2				FOR LU-2810,28
22			40010437			CRANK_BALANCER_ASM.	1				
23		*	40010438	40010437		CRANK_BALANCER	1	1.00			
24		*	40010439			CRANK_BALANCER_FIX_PL.	1				
25		*	40010440			CRANK_BALANCER_FIX_PL.	2				
26			40126244			AC SERVO MOTOR	1				FOR LU-2860-7
27			40112091			COUNTER_WEIGHT	1				
28			40112092			NEEDLE_BAR_CRANK	1				
29			40112093			NEEDLE_BAR_CRANK_ROD	1				
30			40112094			CRANK_ROD_BUSH	1				
31			40011902			THREAD_TAKE_UP_CRANK	1				
32			40125930			TAKE_UP_LEVER_CRANK	1				
33			40127049			THREAD_TAKE_UP_ASM.	1				FOR LU-2810,28
34			40134545			THREAD_TAKE_UP_ASM.	1				FOR LU-2818-7
35		*	40125939			THREAD_TAKE_UP	1				FOR LU-2810,28
36		*	40134532			THREAD_TAKE_UP	1				FOR LU-2818-7
37		*	10546901			BUSH	1				
38			WP0820516SP			WASHER 11.6X8.2X0.6	1				
39			10721504			FEED ADJUSTING PIN	1				
40			SB108002400			BEARING	2				
41			SM8060812TP			SCREW M6 L=8	2				
42			40010533			BTW_DRIVING_WHEEL_ASM	1				
43		*	40010534	40010533		BTW_DRIVING_WHEEL	1	1.00			
44		*	40010535			DRIVING_WHEEL_SCREW	2				
45			SB120002700			BEARING	1				FOR LU-2810,28
46			23605207			MAIN_SHAFT BEARING SUF	1				FOR LU-2810,28
47			SM80608A2TP			SCREW M6 L=8	2				FOR LU-2810,28
48			40026457			HAND WHEEL B	1				FOR LU-2810,28
49			SM4051055SP			SCREW	3				FOR LU-2810,28
50			SM8060612TP			SCREW M6 L=6	2				
51			SM8080812TP			SCREW M8X8	2				
52			40028116			MAIN_SHAFT_SPROCKET	1				FOR LU-2810,28



NEEDLE BAR COMPONENTS



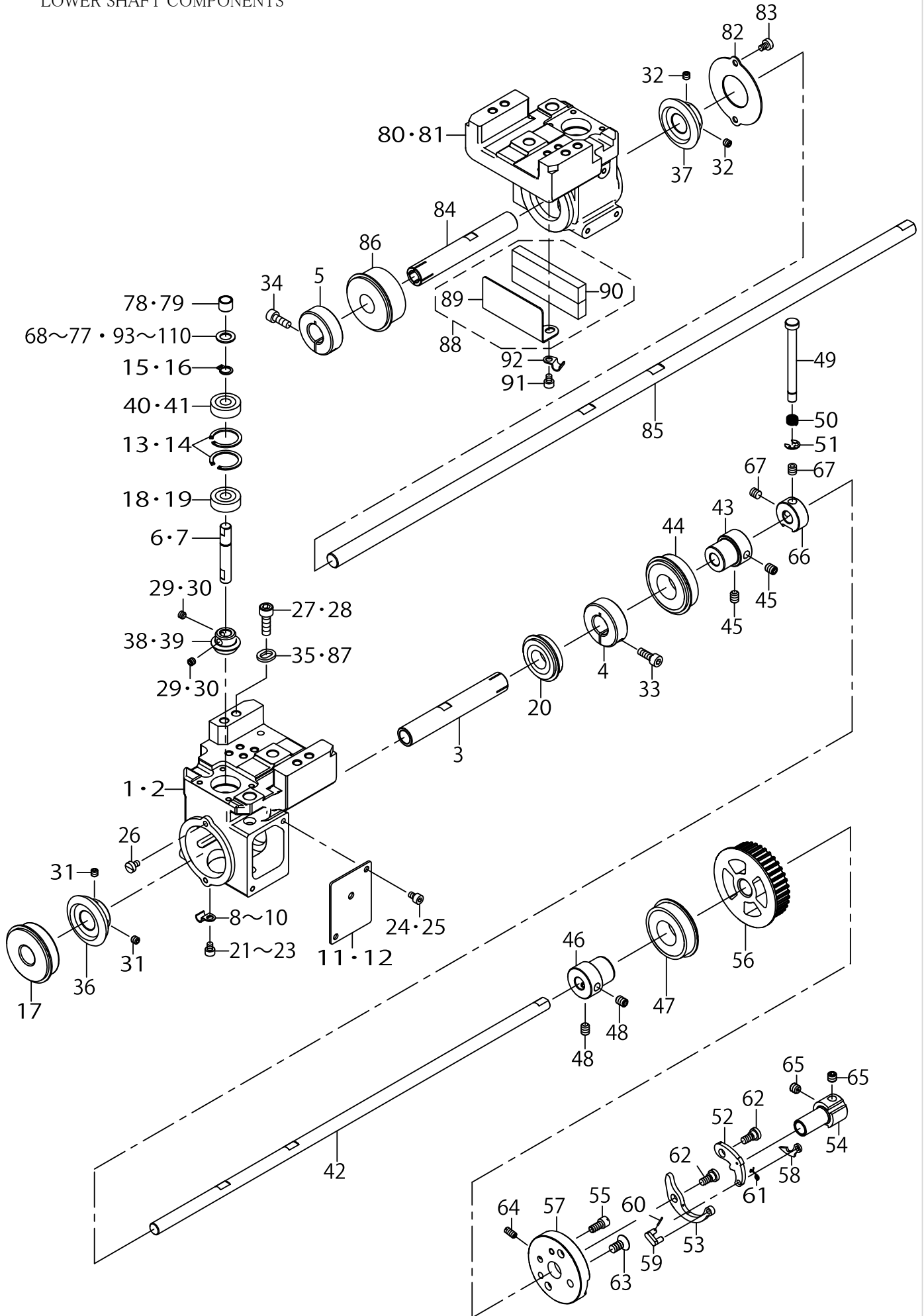
LU-2810S	LU-2810S-7	LU-2810A LU-2810A-7 LU-2818A-7

LU-2860S LU-2860S-7	LU-2860A LU-2860A-7 LU-2868A-7

NEEDLE BAR COMPONENTS

No.	C- ons	Le- vel	Parts No.	Replacement	Supply Code	Parts name	Qty	R- ep- Q- TY	Status	Spec	Remarks
1			40010709			NF SHAFT BUSH R	1				
2			40152451			BUSHING	1				
3			CS1701181TP			THRUST COLLAR D=17 W=	1				
4			SM8060612TP			SCREW M6 L=6	2				
5			40126403			N_B.ROCKING_BASE_ASM.2	1				FOR LU-2810S-
6			40127042			N_B.ROCKING_BASE_ASM.2	1				FOR LU-2810S
7			40126402			N_B.ROCKING_BASE_ASM.2	1				FOR LU-2810A,
8			40127051			N_B.ROCKING_BASE_ASM.2	1				FOR LU-2860S,;
9			40127054			N_B.ROCKING_BASE_ASM.2	1				FOR LU-2860A,
10		*	21338405			NEEDLE BAR THREAD RAC	1				FOR LU-2810S-
11		*	B1401053000			NEEDLE BAR	1				FOR LU-2810S
12		*	40143220			NEEDLE_BAR_2810A	1				FOR LU-2810A,
13		*	40127052	40127051		NEEDLE BAR	1	1.00			FOR LU-2860S,;
14		*	21451406			NEEDLE BAR	1				FOR LU-2860A,
15		*	40154226	40126403		N_B.ROCKING_BASE_ASM.2	1	1.00	選択部品	糸切り仕様	FOR LU-2810S,;
15		*	40154226	40127042		N_B.ROCKING_BASE_ASM.2	1	1.00	選択部品	糸切り無仕様	FOR LU-2810S,;
16		*	40136296	40126402		N_B.ROCKING_BASE_ASM.2	1	1.00	選択部品	PLC-2810.2710.	FOR LU-2810A,
16		*	40136296	40127054		N_B.ROCKING_BASE_ASM.2	1	1.00	選択部品	PLC-2860.2760L	FOR LU-2810A,
17		*	40154227			N_B.ROCKING_BASE_ASM.2	1				FOR LU-2860S,;
18		*	SM6040650TP			SCREW	2				
19		*	40112152			NEEDLE_ROD_SQUARE_BLC	1				
20		*	40127041			NEEDLE_BAR_GUIDE	1				
21		*	B1411053000			NEEDLE BAR CONNECTIO	1				FOR LU-2810S,;
22		*	40112273			NEEDLE BAR CONNECTIO	1				FOR LU-2810A,
23		*	B1411521000			NEEDLE ROD HOLDER	1				FOR LU-2860S,;
24		*	SS7090910TP			SCREW 9/64-40 L=8.5	1				
25			SM6030602TP			SCREW M3X0.5 L=6	1				FOR LU-2860A,
26			SS2060310SP			SCREW 3/32-56 L=3	1				FOR LU-2810A,
27			40112270			FELT HOLDER	1				
28			40112271			NEEDLE_BAR_FELT_S	1				FOR LU-2810S,;
29			40112272			NEEDLE_BAR_FELT_E	1				FOR LU-2810A,
30	☆		M13517B1600			NEEDLE 135X17 #160	1				FOR LU-2810,28
31	☆		M13517B1600			NEEDLE 135X17 #160	2				FOR LU-2860,28
32			B1438512B00			WASHER 17.1X28X1.5	1				SELECTIVE PAF
33			22606206			SPACER Y	1				SELECTIVE PAF
34			22606305			SPACER Z	1				SELECTIVE PAF
35			22607600			SPACER A	1				SELECTIVE PAF
36			22607709			SPACER B	1				SELECTIVE PAF
37			22607808			SPACER D	1				SELECTIVE PAF
38			22607907			SPACER E	1				SELECTIVE PAF
39			22606404			SPACER F	1				SELECTIVE PAF
40			B1412051000			FELT	1				FOR LU-2810S,;
41			SM4050501SC	SM4050801SC		SCREW M5X0.8 L=5	1	1.00			
42			SS7080510TP			SCREW 1/8-44 L=4.5	1				FOR LU-2810S,;
43			TA0500301R0			PLUG 5X5.8 L=3	4				
44			TA0620504R0			CAP	1				
45			CQ252000000			OIL WICK	.05				FOR LU-2810A,
46			SS8080410TP			SCREW 1/8-44 L=3.5	1				FOR LU-2810A,
47			21338504			NEEDLE BAR THREAD RAC	1				FOR LU-2810S-
48			40143221			NEEDLE_BAR_THREAD GUI	1				FOR LU-2810A,
49			10308609			THREAD GUARD	1				FOR LU-2810S
50			21368154			NEEDLE CLAMP 3/16 ASM.	1				EXCHANGING C
51	☆	*	SS6090410TP			SCREW 9/64-40 L=3.5	2				EXCHANGING C
52			40038778			NEEDLE CLAMP(6MM)ASM	1				EXCHANGING C
53	☆	*	SS8080310TP			SCREW 1/8-44 L=2.8	2				EXCHANGING C

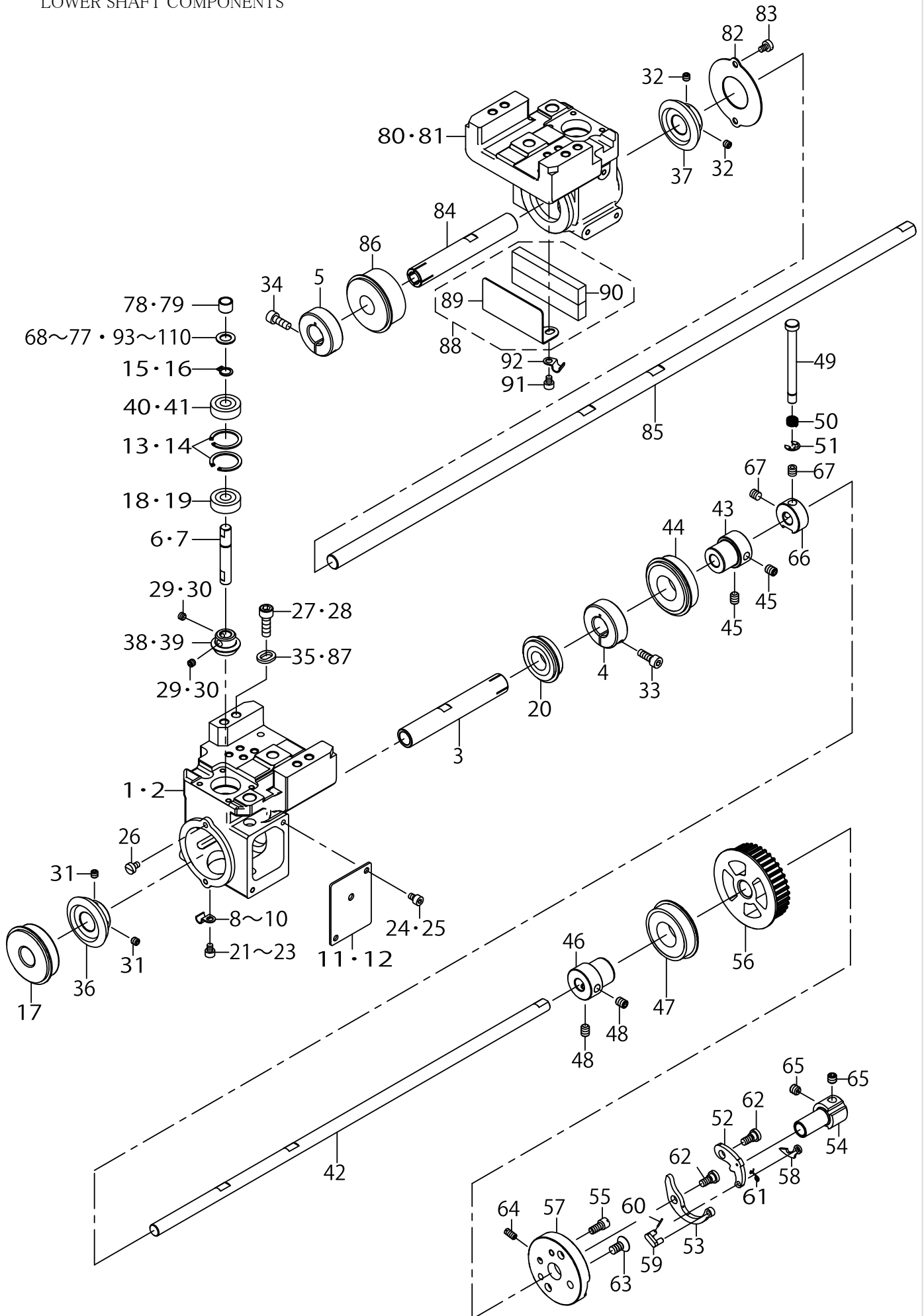
LOWER SHAFT COMPONENTS



LOWER SHAFT COMPONENTS

No.	C- ons	Le- vel	Parts No.	Replacement	Supply Code	Parts name	Qty	R- ep. Q- TY	Status	Spec	Remarks
1			40125845			HOOK_SHAFT_BASE_RIGHT	1				FOR LU-2810-7
2			40125846			HOOK_SHAFT_BASE_RIGHT	1				FOR LU-2810,28
3			40112253			LOWER_SHAFT_C	1				
4			40052253			SET COLLAR	1				
5			40052253			SET COLLAR	1				FOR LU-2860,28
6			40126381			HOOK_SHAFT	1				FOR LU-2810,28
7			40126381			HOOK_SHAFT	2				FOR LU-2860,28
8			B3538112000			OIL RETURN TUBE HOLDE	2				FOR LU-2810
9			B3538112000			OIL RETURN TUBE HOLDE	1				FOR LU-2810-7
10			B3538112000			OIL RETURN TUBE HOLDE	2				FOR LU-2860-7
11			40123340			HOOK_SHAFT_BASE_SIDE_F	1				FOR LU-2810,28
12			40135474			HOOK_SHAFT_BASE_SIDE_F	2				FOR LU-2860,28
13			RC2351018KP			RETAINIG PIN 23.5	2				FOR LU-2810,28
14			RC2351018KP			RETAINIG PIN 23.5	4				FOR LU-2860,28
15			RC0740816K0			RETAINING RING	1				FOR LU-2810,28
16			RC0740816K0			RETAINING RING	2				FOR LU-2860,28
17			40143084			BUSHING	1				
18			40143086			BUSHING	1				FOR LU-2810,28
19			40143086			BUSHING	2				FOR LU-2860,28
20			40143082			BUSHING	1				
21			SM6040502TP			SCREW M4X0.7 L=5	1				FOR LU-2810
22			SM6040502TP			SCREW M4X0.7 L=5	1				FOR LU-2810,28
23			SM6040502TP			SCREW M4X0.7 L=5	2				FOR LU-2860-7
24			SM6040602TP			SCREW M4 L=6	2				FOR LU-2810,28
25			SM6040602TP			SCREW M4 L=6	4				FOR LU-2860,28
26			SM6040650TP			SCREW	2				
27			SM6061802TP			SCREW M6 L=18	2				FOR LU-2810,28
28			SM6061802TP			SCREW M6 L=18	4				FOR LU-2860,28
29			SM8050412TP			SCREW M5 L=4	2				FOR LU-2810,28
30			SM8050412TP			SCREW M5 L=4	4				FOR LU-2860,28
31			SM80506A2TP			SCREW M5 L=6	2				
32			SM80506A2TP			SCREW M5 L=6	2				FOR LU-2860,28
33			SM6051402TP			SCREW M5X0.8 L=14	1				
34			SM6051402TP			SCREW M5X0.8 L=14	1				FOR LU-2860,28
35			40139043			WASHER	2				FOR LU-2810,28
36			40126372			LOWER_SHAFT_GEAR	1				
37			40126372			LOWER_SHAFT_GEAR	1				FOR LU-2860,28
38			40112242			HOOK_SHAFT_GEAR	1				FOR LU-2810,28
39			40112242			HOOK_SHAFT_GEAR	2				FOR LU-2860,28
40			40143086			BUSHING	1				FOR LU-2810,28
41			40143086			BUSHING	2				FOR LU-2860,28
42			40126365			LOWER_SHAFT_1N	1				FOR LU-2810,28
43			40123247			BEARING_COLLAR	1				
44			SB120001800			BEARING	1				
45			SM8060812TP			SCREW M6 L=8	2				
46			40123247			BEARING_COLLAR	1				
47			SB120001800			BEARING	1				
48			SM8060812TP			SCREW M6 L=8	2				
49			40112240			SAFETY_REVERSE_BUTTON	1				
50			B1639051000			SPRING	1				
51			RE0500000K0			E-RING	1				
52			21387600			SAFETY CLUTCH HOOK	1				
53			21387709			SAFETY CLUTCH SPRING	1				
54			21387808			SAFETY BASE	1				
55			21387907			ADJUSTING PIN (1.2)	1				
56			40125862			LOWER_SHAFT_SPROCKET	1				
57			40126366			CLUTCH_BASE	1				
58			B1308055000			SAFETY CLUTCH COUNT	1				
59			B1310055000			SAFETY CLUTCH SMALL I	1				
60			B1314055000			SAFETY CLUTCH SMALL I	1				

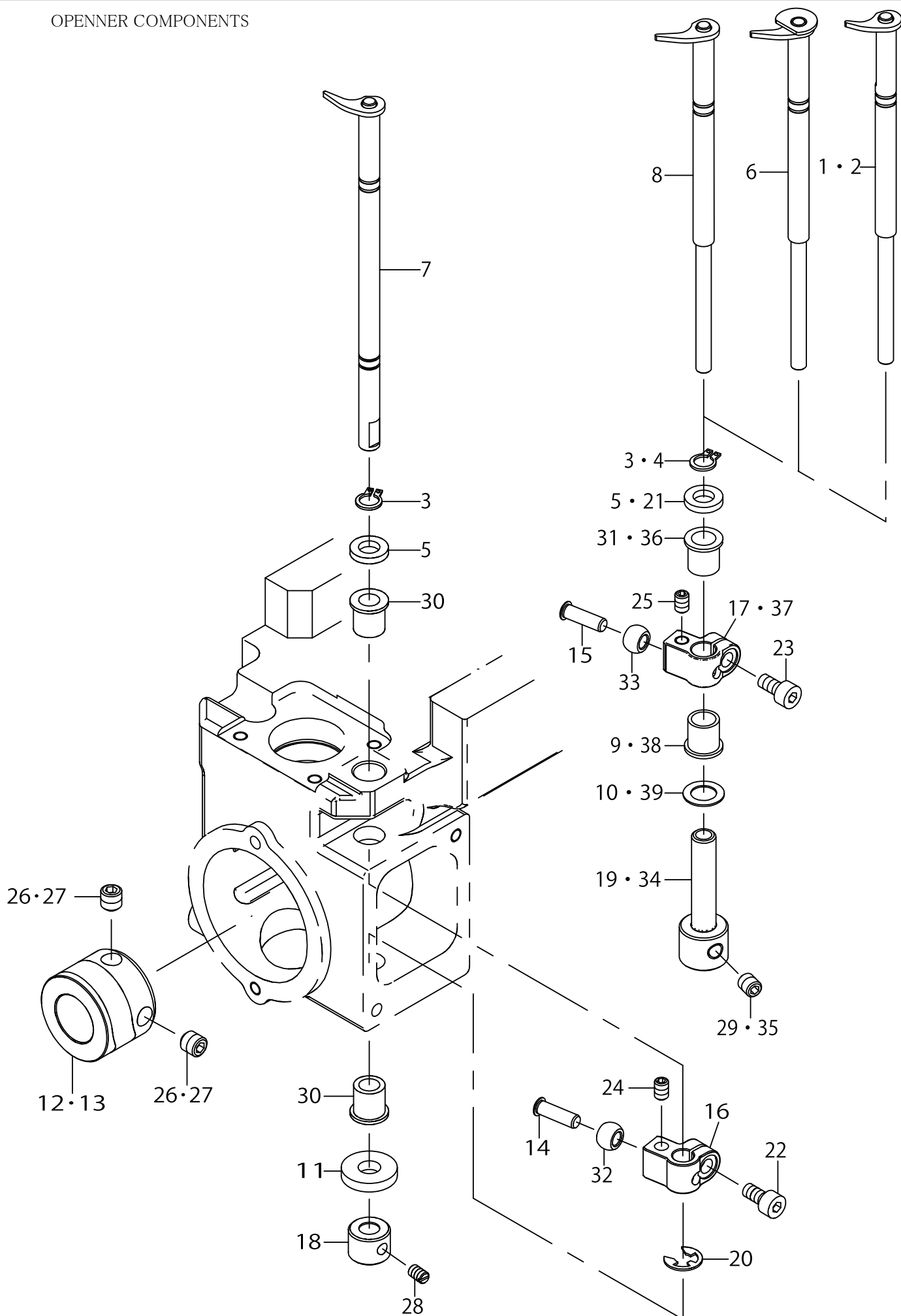
LOWER SHAFT COMPONENTS



LOWER SHAFT COMPONENTS

No.	C- ons	Le- vel	Parts No.	Replacement	Supply Code	Parts name	Qty	R- ep. Q- TY	Status	Spec	Remarks
61			40113224			COUNTER HOOK SPRING	1				
62			SD0640322TP			HINGE SCREW D=6.35 H=3.	2				
63			SM1061201SN			SCREW M6 L=12	2				
64			SS8111010TP			SCREW 11/64-40 L=9.5	1				
65			SS8660612TP			SCREW 1/4-40 L=6	2				
66			21333901			SAFETY CLUTCH DISC	1				
67			SS8660612TP			SCREW 1/4-40 L=6	2				
68			B255728000A			WASHER FOR DRIVING AR	1				SELECTIVE PAF
69			B255728000B			WASHER	1				SELECTIVE PAF
70			B255728000C			WASHER	1				SELECTIVE PAF
71			B255728000D			WASHER D	1				SELECTIVE PAF
72			B255728000E			WASHER	1				SELECTIVE PAF
73			B255728000A			WASHER FOR DRIVING AR	2				SELECTIVE PAF
74			B255728000B			WASHER	2				SELECTIVE PAF
75			B255728000C			WASHER	2				SELECTIVE PAF
76			B255728000D			WASHER D	2				SELECTIVE PAF
77			B255728000E			WASHER	2				SELECTIVE PAF
78			40126382			HOOK_SHAFT_COLLAR	1				FOR LU-2810,28
79			40126382			HOOK_SHAFT_COLLAR	2				FOR LU-2860,28
80			40125847			HOOK_SHAFT_BASE_LEFT_	1				FOR LU-2860-7
81			40125848			HOOK_SHAFT_BASE_LEFT_	1				FOR LU-2860
82			40126455			HOOK_SHAFT_BASE_COVE	1				FOR LU-2860,28
83			SM6040650TP			SCREW	2				FOR LU-2860,28
84			40126454			LOWER_SHAFT_D	1				FOR LU-2860,28
85			40123428			LOWER_SHAFT_2N	1				FOR LU-2860,28
86			SB115002200			BEARING	1				FOR LU-2860,28
87			40139042			WASHER	4				FOR LU-2860,28
88			40135505			OIL_SHIELD_PLATE_ASM.	1				FOR LU-2860,28
89		*	40127345			OIL_SHIELD_PLATE	1				FOR LU-2860,28
90		*	40135504	40135505		GASKET	2	1.00			FOR LU-2860,28
91			SM6040502TP			SCREW M4X0.7 L=5	3				FOR LU-2860
92			B3538112000			OIL RETURN TUBE HOLDE	5				FOR LU-2860
93			40138418			WASHER_T=1.3	1				SELECTIVE PAF
94			40138419			WASHER_T=1.4	1				SELECTIVE PAF
95			40138420			WASHER_T=1.5	1				SELECTIVE PAF
96			40138421			WASHER_T=1.6	1				SELECTIVE PAF
97			40138422			WASHER_T=1.7	1				SELECTIVE PAF
98			40138423			WASHER_T=1.8	1				SELECTIVE PAF
99			40143185			WASHER	1				SELECTIVE PAF
100			40143188			WASHER	1				SELECTIVE PAF
101			40143581			WASHER	1				SELECTIVE PAF
102			40138418			WASHER_T=1.3	2				SELECTIVE PAF
103			40138419			WASHER_T=1.4	2				SELECTIVE PAF
104			40138420			WASHER_T=1.5	2				SELECTIVE PAF
105			40138421			WASHER_T=1.6	2				SELECTIVE PAF
106			40138422			WASHER_T=1.7	2				SELECTIVE PAF
107			40138423			WASHER_T=1.8	2				SELECTIVE PAF
108			40143185			WASHER	2				SELECTIVE PAF
109			40143188			WASHER	2				SELECTIVE PAF
110			40143581			WASHER	2				SELECTIVE PAF

OPENER COMPONENTS

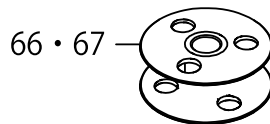
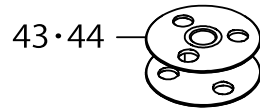
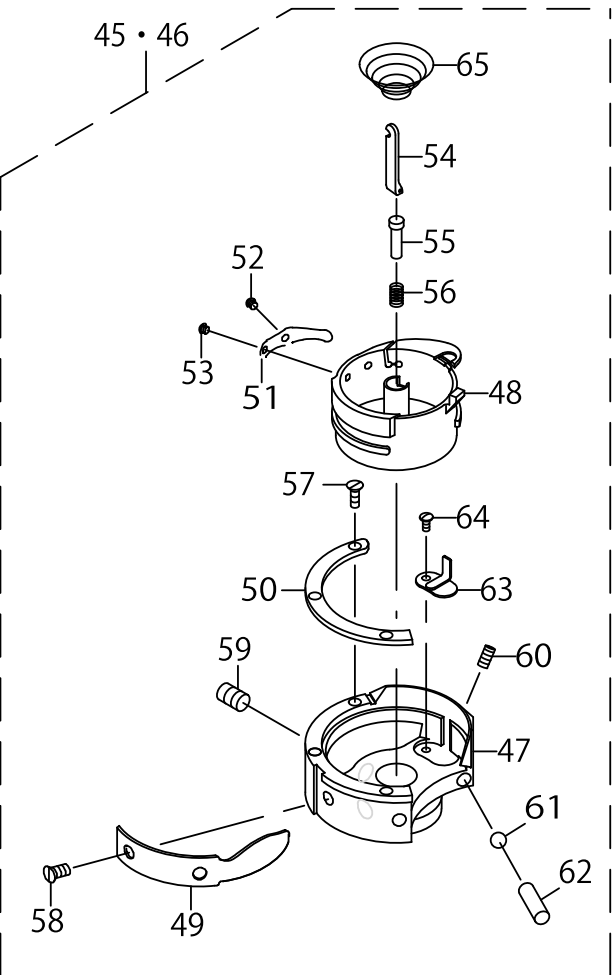
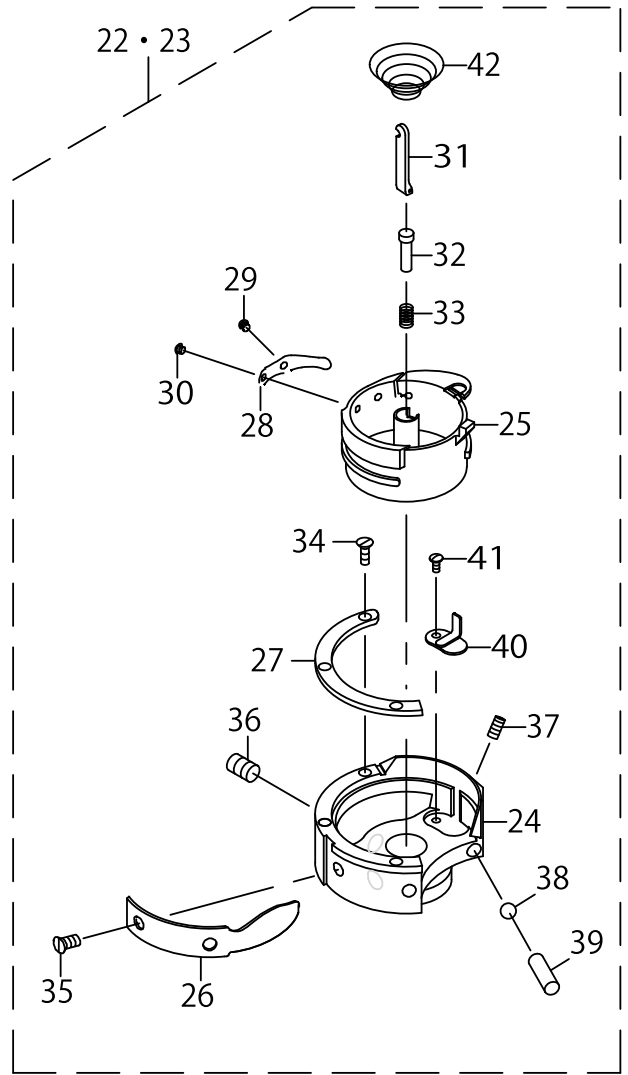
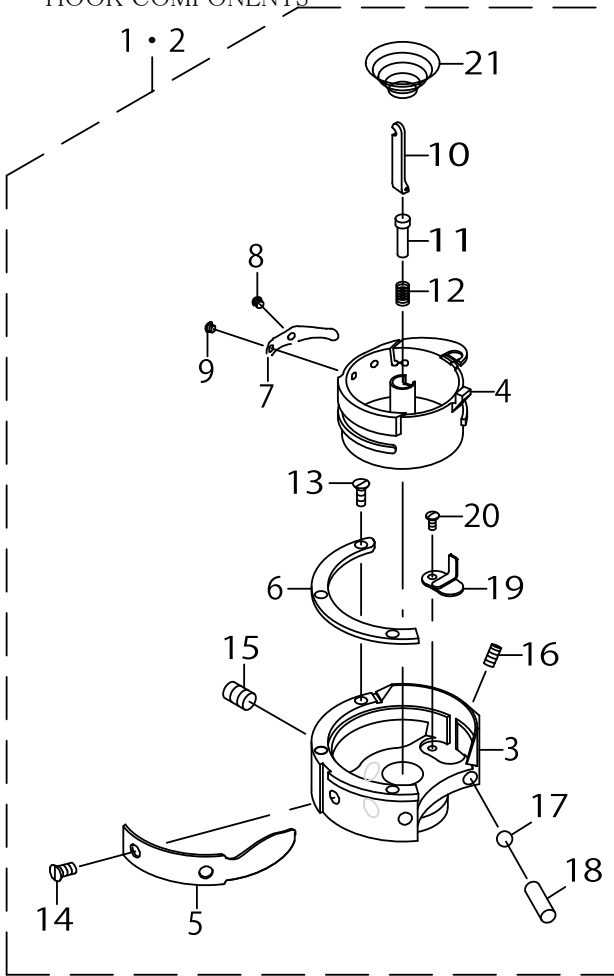


OPENER COMPONENTS

No.	C- ons	Le- vel	Parts No.	Replacement	Supply Code	Parts name	Qty	R- ep- Q- TY	Status	Spec	Remarks
1	☆		40147915			OPENER_ASM_XXL	1				FOR LU-2818-7
2	☆		40147915			OPENER_ASM_XXL	2				FOR LU-2868-7
3			RC0560711KP			RETAINING RING	1				FOR LU-2810,28
4			RC0560711KP			RETAINING RING	2				FOR LU-2860,28
5			WP0612066SP			WASHER 6.1X11X2	1				FOR LU-2810,28
6	☆		40137431			OPENER_ASM_L	2				FOR LU-2860-7
7	☆		40126361			OPENER_ASM.	1				FOR LU-2810,28
8	☆		40135500			OPENER_ASM. L	2				FOR LU-2860
9			40135473			METAL	2				FOR LU-2860,28
10			WP0740516SP			WASHER 7.4X11.8X0.5	2				FOR LU-2860,28
11			B3010141H00			WASHER	1				FOR LU-2810-7
12			40126547			OPENER_CAM_L	1				FOR LU-2860,28
13			40126391			OPENER_CAM_R	1				
14			40126360			OPENER_CAM_ROLLAR_SH/	1				FOR LU-2810,28
15			40126360			OPENER_CAM_ROLLAR_SH/	2				FOR LU-2860,28
16			40125859			OPENER_DRIVING_ARM	1				FOR LU-2810,28
17			40135475			OPENER_DRIVING_ARM	2				FOR LU-2860,28
18			40010298			JUNCTION SHAFT COLLA/	1				FOR LU-2810,28
19			40135472			JUNCTION SHAFT COLLA/	2				FOR LU-2860,28
20			RE0500000K0			E-RING	1				FOR LU-2810,28
21			WP0612066SP			WASHER 6.1X11X2	2				FOR LU-2860,28
22			SM6040802TP			SCREW M4X0.7 L=8	1				FOR LU-2810,28
23			SM6040802TP			SCREW M4X0.7 L=8	2				FOR LU-2860,28
24			SM8040612TP			SCREW M4 L=6	1				FOR LU-2810,28
25			SM8040612TP			SCREW M4 L=6	2				FOR LU-2860,28
26			SM8060612TP			SCREW M6 L=6	2				FOR LU-2810,28
27			SM8060612TP			SCREW M6 L=6	4				FOR LU-2860,28
28			SS8090670SP			SCREW 9/64-40 L=5.5	1				FOR LU-2810,28
29			SM8050612TP			SCREW M5X6	4				FOR LU-2860,28
30			40112252			OPENER_METAL	2				FOR LU-2810,28
31			40112252			OPENER_METAL	2				FOR LU-2860,28
32			40126351			OPENER_CAM_ROLLER	1				FOR LU-2810,28
33			40126351			OPENER_CAM_ROLLER	2				FOR LU-2860,28
34			40135472			OPENNER_SLEEVE	1				FOR LU-2818-7
35			SM8050612TP			SCREW M5X6	2				FOR LU-2818-7
36			40112252			OPENER_METAL	1				FOR LU-2818-7
37			40135475			OPENER_DRIVING_ARM	1				FOR LU-2818-7
38			40135473			OPENER_METAL	1				FOR LU-2818-7
39			WP0740516SP			WASHER 7.4X11.8X0.5	1				FOR LU-2818-7



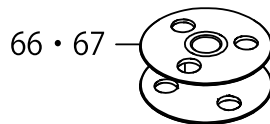
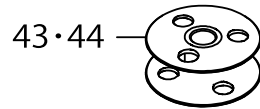
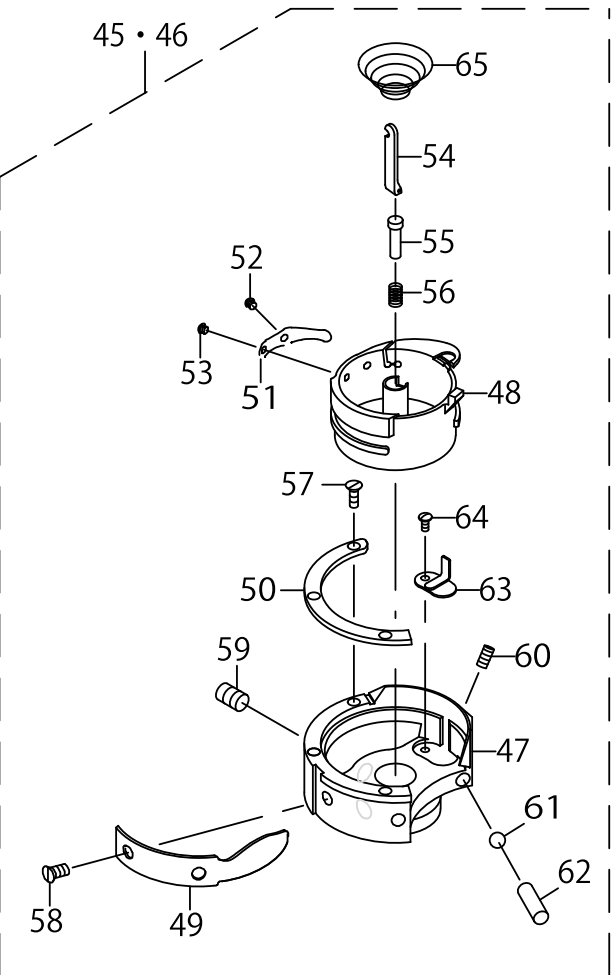
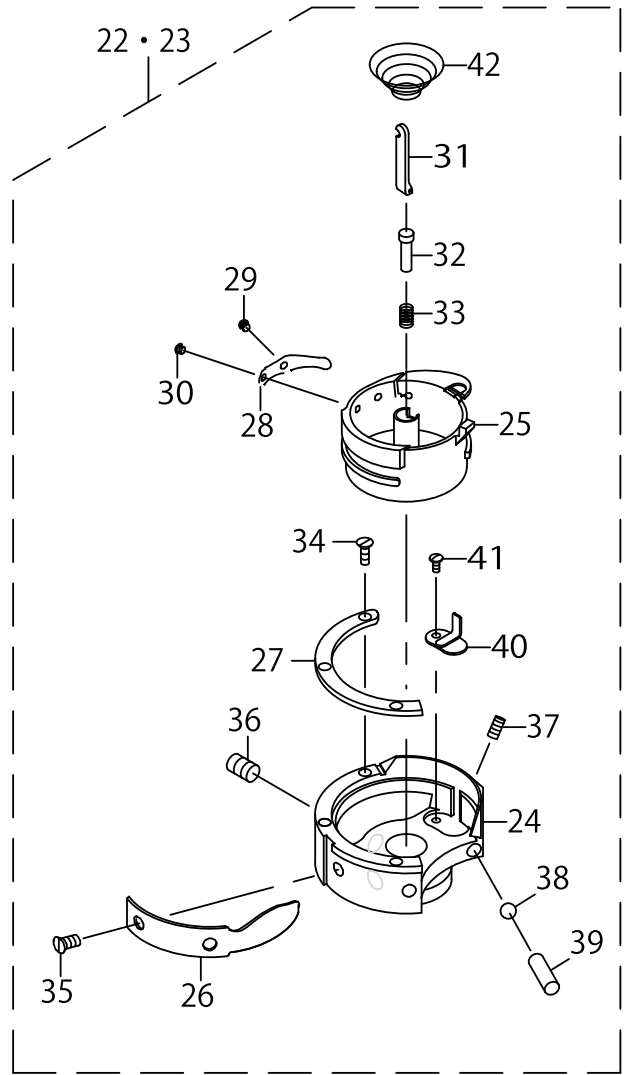
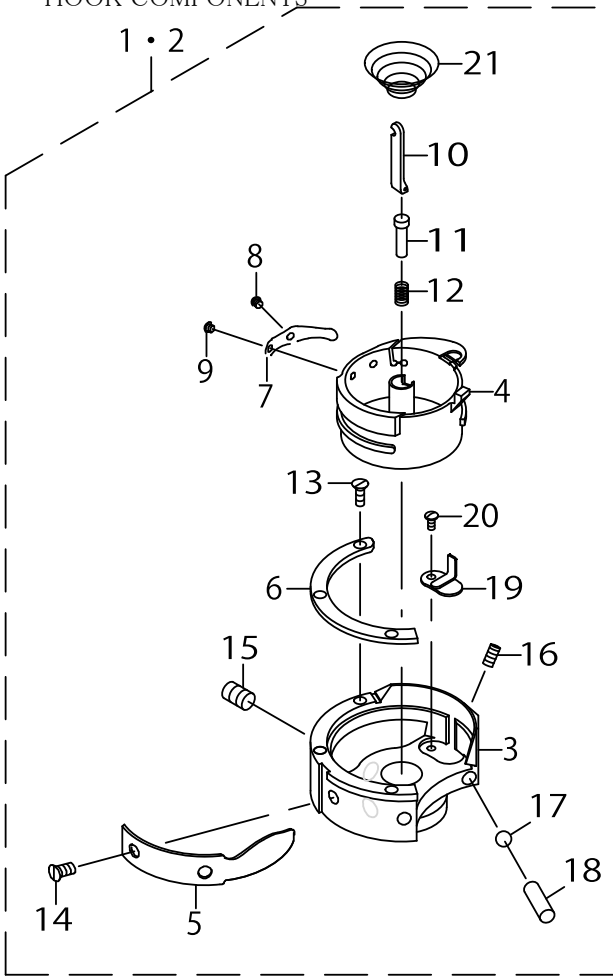
HOOK COMPONENTS



HOOK COMPONENTS

No.	C- ons	Le- vel	Parts No.	Replacement	Supply Code	Parts name	Qty	R- ep. Q- TY	Status	Spec	Remarks
1	☆		40131956			HOOK_ASM_T	1				FOR LU-2810-7
2	☆		40131956			HOOK_ASM_T	2				FOR LU-2860-7
3	☆	*	40148039			OUTER_HOOK	1				
4	☆	*	40148040			INNER_HOOK	1				
5	☆	*	40079896			NEEDLE HOLDER	1				
6	☆	*	40148033			INNER_HOOK_HOLDER	1				
7	☆	*	40079898			TENTION_SPRING	1				
8	☆	*	40079899			ADJUSTING_SCREW	1				
9	☆	*	40079900			TENTION_SPRING_SETSCRE	1				
10	☆	*	40079901			BOBBIN_PRESSER	1				
11	☆	*	40079902			PRESSER_LIFTER	1				
12	☆	*	40079903			PRESSER_LIFTER_SPRING	1				
13	☆	*	40079904			INNER_HOOK_HOLDER_SET	3				
14	☆	*	40079905			NEEDLE HOLDER SETScri	2				
15	☆	*	40075542			OUTER_HOOK_SETSCREW	2				
16	☆	*	40079909			NEEDLE HOLDER ADJUSTI	1				
17	☆	*	40148037			BALL	1				
18	☆	*	40148038			SLIDE_PIN	1				
19	☆	*	40075548			OIL_COVER	1				
20	☆	*	40075547			OIL_COVER_SETSCREW	1				
21	☆	*	40079912			IDLING PRIVENTION SPRIN	1				
22	☆		40126399			HOOK_ASM.	1				FOR LU-2810
23	☆		40126399			HOOK_ASM.	2				FOR LU-2860
24	☆	*	40148031			OUTER_HOOK	1				
25	☆	*	40148032			INNER_HOOK	1				
26	☆	*	40079896			NEEDLE HOLDER	1				
27	☆	*	40148033			INNER_HOOK_HOLDER	1				
28	☆	*	40148034			TENTION_SPRING	1				
29	☆	*	40148035			ADJUSTING_SCREW	1				
30	☆	*	40148036			TENTION_SPRING_SETSCRE	1				
31	☆	*	40079901			BOBBIN_PRESSER	1				
32	☆	*	40079902			PRESSER_LIFTER	1				
33	☆	*	40079903			PRESSER_LIFTER_SPRING	1				
34	☆	*	40079904			INNER_HOOK_HOLDER_SET	3				
35	☆	*	40079905			NEEDLE HOLDER SETScri	2				
36	☆	*	40075542			OUTER_HOOK_SETSCREW	2				
37	☆	*	40079909			NEEDLE HOLDER ADJUSTI	1				
38	☆	*	40148037			BALL	1				
39	☆	*	40148038			SLIDE_PIN	1				
40	☆	*	40075548			OIL_COVER	1				
41	☆	*	40075547			OIL_COVER_SETSCREW	1				
42	☆	*	40079912			IDLING PRIVENTION SPRIN	1				
43	☆		21334800			ALUMINUM BOBBIN WITH	1				FOR LU-2810,28
44	☆		21334800			ALUMINUM BOBBIN WITH	2				FOR LU-2860,28
45	☆		40147985			TRIM HOOK ASM. XXL LP	1				FOR LU-2818-7
46	☆		40147985			TRIM HOOK ASM. XXL LP	2				FOR LU-2868-7
47	☆	*	40149030			OUTER_HOOK	1				
48	☆	*	40149038			INNER_HOOK	1				
49	☆	*	40149032			NEEDLE HOLDER	1				
50	☆	*	40149033			INNER_HOOK_HOLDER	1				
51	☆	*	40079898			TENTION SPRING	1				
52	☆	*	40079899			ADJUSTING SCREW	1				
53	☆	*	40079900			TENTION SPRING SETSCRE	1				
54	☆	*	40149034			BOBBIN_PRESSER	1				
55	☆	*	40079902			PRESSER_LIFTER	1				
56	☆	*	40079903			PRESSER_LIFTER_SPRING	1				
57	☆	*	40149035			INNER_HOOK_HOLDER_SET	3				
58	☆	*	40149036			NEEDLE HOLDER SETScri	2				
59	☆	*	40075542			OUTER_HOOK_SETSCREW	2				
60	☆	*	40079909			NEEDLE HOLDER ADJUSTI	1				

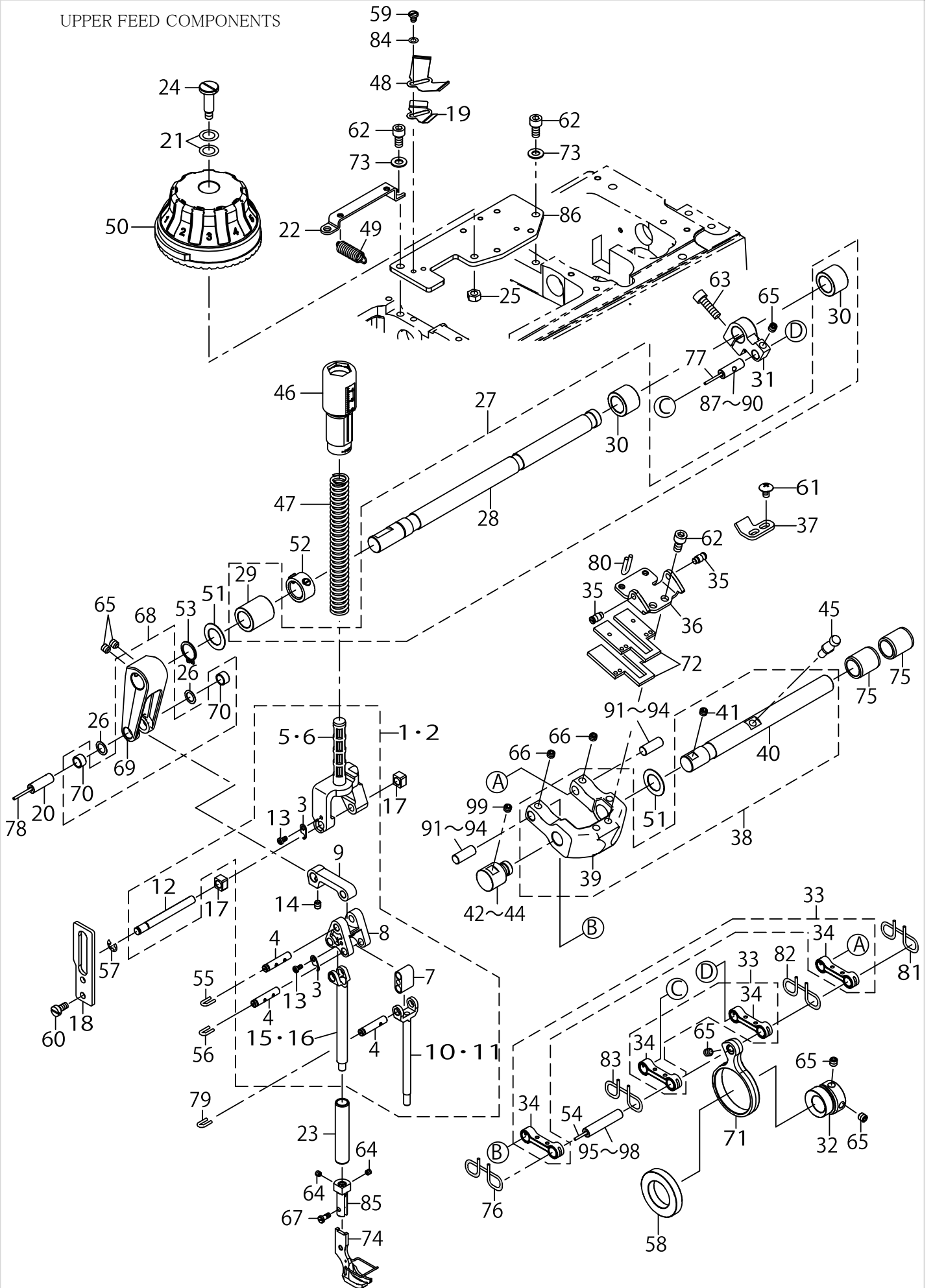
HOOK COMPONENTS



HOOK COMPONENTS

No.	C-ons	Le-vel	Parts No.	Replacement	Supply Code	Parts name	Qty	R-ep-Q-TY	Status	Spec	Remarks
61	☆	*	40148037			BALL	1				
62	☆	*	40149037			SLIDE_PIN	1				
63	☆	*	40075547			OIL_COVER_SETSCREW	1				
64	☆	*	40075548			OIL_COVER	1				
65	☆	*	40079912			IDLING PRIVENTION SPRIN	1				
66	☆		40147913			BOBBIN	1				FOR LU-2818-7
67	☆		40147913			BOBBIN	2				FOR LU-2868-7

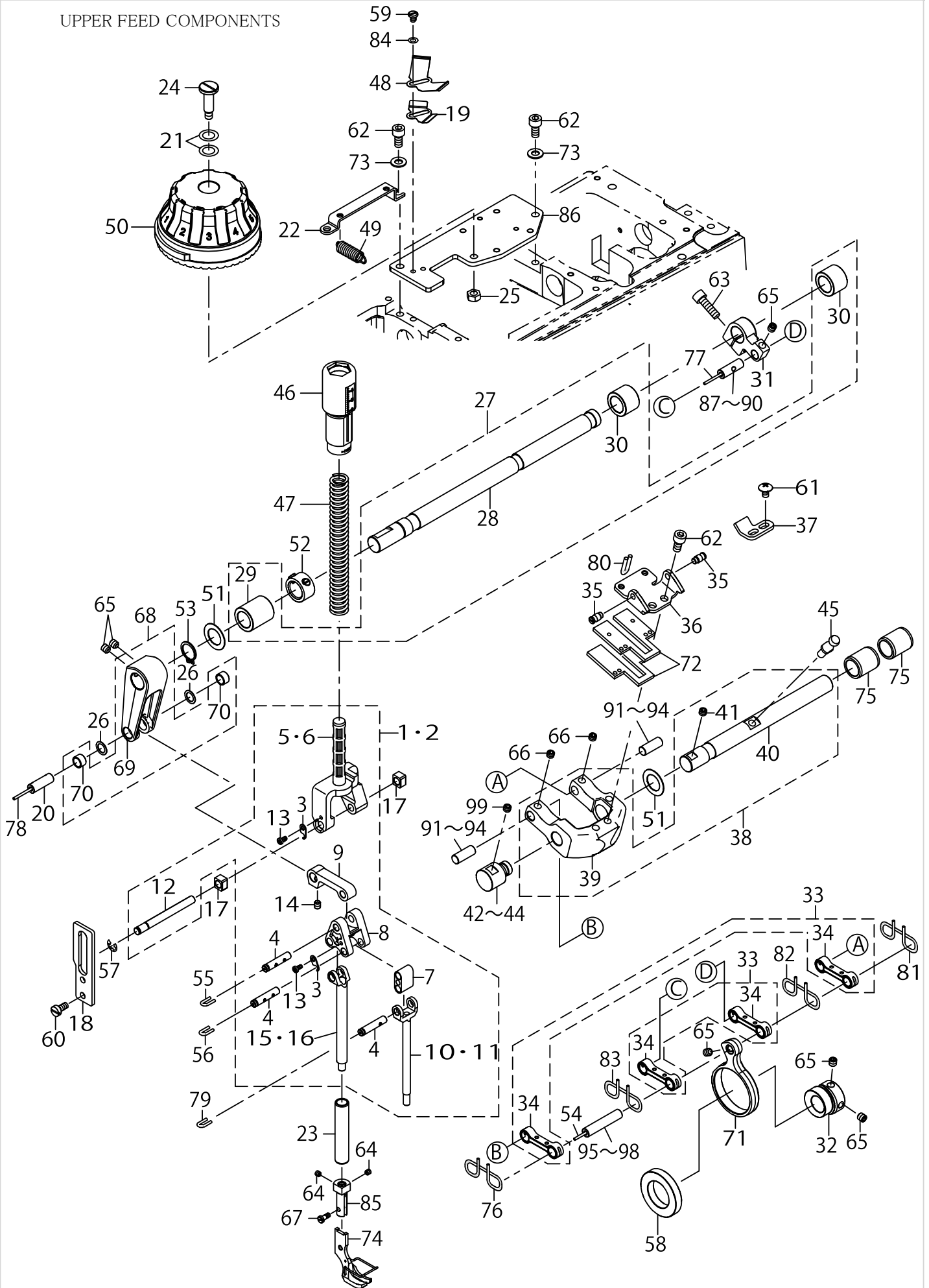
UPPER FEED COMPONENTS



UPPER FEED COMPONENTS

No.	C- ons	Le- vel	Parts No.	Replacement	Supply Code	Parts name	Qty	R- ep- Q- TY	Status	Spec	Remarks
1			40144288			UPPER_FEED F ASM_S	1				FOR LU-2810S,;
2			40144289			UPPER_FEED F ASM_E	1				FOR LU-2810A,
3		*	10710804			TRIANGLE LEVER SHAFT S	2				
4		*	40112176			CONNECTION_PIN	3				
5		*	40144286	40144288		SPRING RECEIVING S	1	1.00			FOR LU-2810S,;
6		*	40144287	40144289		SPRING RECEIVING E	1	1.00			FOR LU-2810A,
7		*	40123665			WALKING_BAR_DRIVING_LI	1				
8		*	40125852			TRIANGULAR_LEVER	1				
9		*	40125854			UPPER_FEED_LINK_A	1				
10		*	40125936			WALKING_BAR_S	1				FOR LU-2810S,;
11		*	40125937			WALKING_BAR_E	1				FOR LU-2810A,
12		*	40126166			PRESSER_BAR_GUIDE_SHA	1				
13		*	SM4030601SN			SCREW M3X6	2				
14		*	SM8050612TP			SCREW M5X6	1				
15		*	40125860			PRESSURE_BAR_S_A	1				FOR LU-2810S,;
16		*	40125861			PRESSURE_BAR_E	1				FOR LU-2810A,
17			40090058			SLIDE BLOCK	2				
18			40125943			PRESSER ROD GUIDE	1				
19			40154199			LEAF_SPRING_ADJUSTING_PI	1				
20			40123634			ROCKING_LINK_PIN	1				
21			40023627			PRESSER PLATE SHEET W/	2				
22			40125867			SPRING_HOOK	1				
23			40135014			BUSHING	1				
24			SD0802126TP	40082079		SHOULDER SCREW D=8 H=	1	1.00			
25			NM6060001SD			NUT M6	1				
26			E2613700000			WASHER	2				
27			40123319			UPPER_FEED_SHAFT_ASM.	1				
28		*	40123262			UPPER_FEED_SHAFT	1				
29		*	40123320	40123319		UPPER_FEED_SHAFT_META	1	1.00			
30		*	40123321	40123319		UPPER_FEED_SHAFT_META	2	1.00			
31			40126160			UPPER_FEED_REAR_ARM	1				
32			40126390			UPPER_FEED_CAM	1				
33			40126338			CONNECTION_LINK_ASM.	2				
34		*	40126223	40126338		CONNECTION_LINK	2	1.00			
35			40038494			THREAD_BIND_ARM_SPRING	2				
36			40126269			CHANGE_BASE_SPRING_RA	1				
37			40126264			CHANGE_BASE_STOPPER	1				
38			40123416			UPPER_FEED_CHANGE_BAS	1				
39		*	40123414	40123416		UPPER_FEED_CHANGE_BAS	1	1.00			
40		*	40123555	40123416		UF_CHANGE_BASE_SHAFT	1	1.00			
41		*	SM80608A2TP			SCREW M6 L=8	1				
42			40145548			UF_CHANGE_BASE_SUPPOF	1				SELECTIVE PAF
43			40145549			UF_CHANGE_BASE_SUPPOF	1				SELECTIVE PAF
44			40145550			UF_CHANGE_BASE_SUPPOF	1				SELECTIVE PAF
45			40126374			VERTICAL_ADJUSTING_PIN	1				
46			40125926			PRESSER_ADJUSTING_SCRE	1				
47	☆		40112197			PRESSER_SPRING	1				
48			40112199			LEAF_SPRING	1				
49			40126400			SPRING	2				
50			40125850			VERTICAL_DIAL(VE)	1				
51			D1231555B00			WASHER	2				
52			22904155			MAIN SHAFT THRUST COL	1				
53			RC0150001KP			RETAINING RING 13.8	1				
54			CQ202000000			OIL WICK	.042				
55			CQ252000000			OIL WICK	.048				
56			CQ252000000			OIL WICK	.048				
57			RE0500000K0			E-RING	1				
58			SB125000600			BEARING	1				
59			SM6040650TP			SCREW	2				
60			SM6051000SP			SCREW	2				

# UPPER FEED COMPONENTS

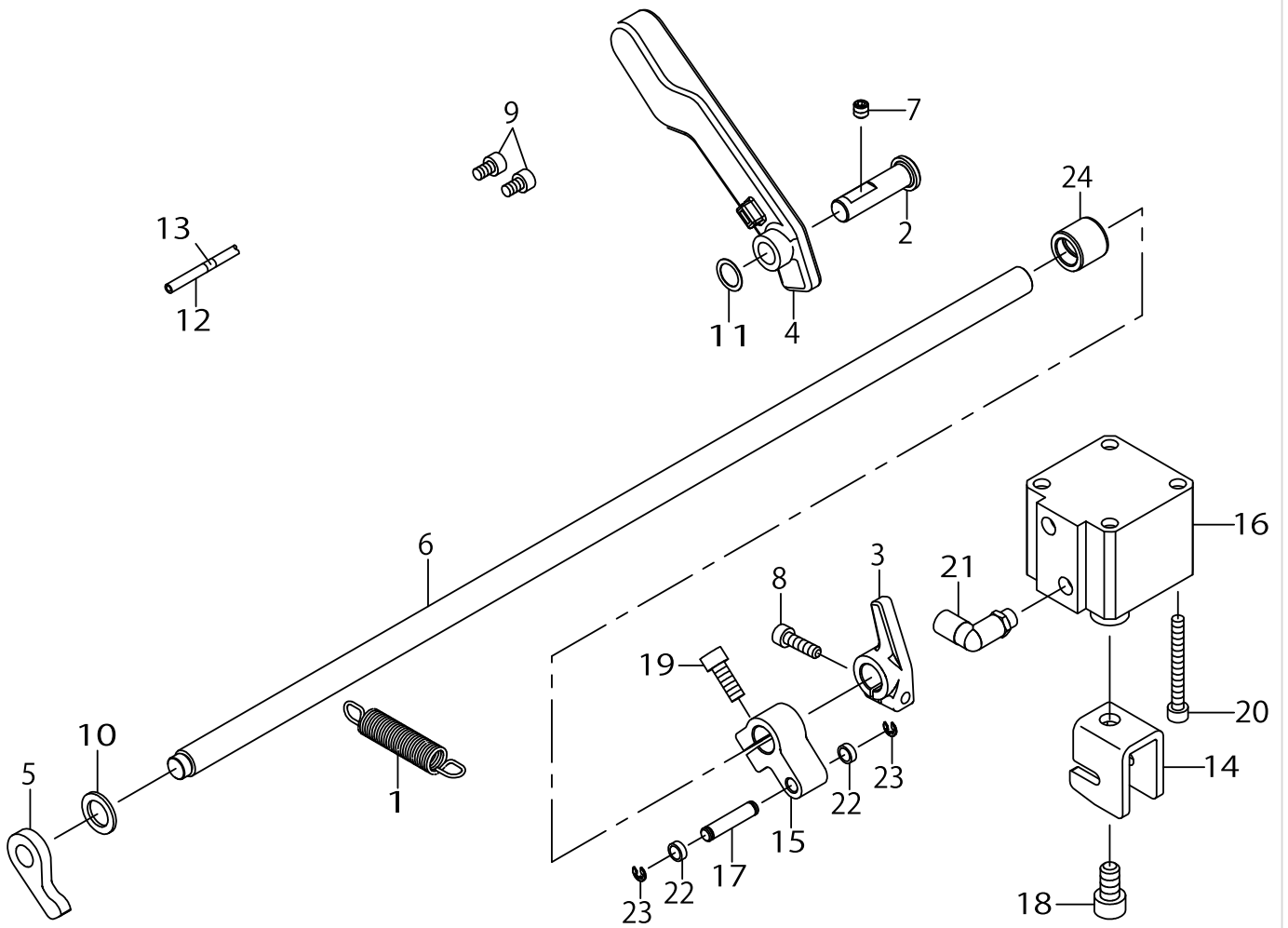


UPPER FEED COMPONENTS

No.	C- ons	Le- vel	Parts No.	Replacement	Supply Code	Parts name	Qty	R- ep. Q- TY	Status	Spec	Remarks
61			SM0050801SC			SCREW	2				
62			SM6061202TP			SCREW M6 L=12	5				
63			SM6062002TP			SCREW M6 L=20	1				
64			SM8040412TP			SET SCREW M4 L=4	2				FOR LU-2810S,;
65			SM8060612TP			SCREW M6 L=6	6				
66			SM8060552TP			SCREW M6 L=5	2				
67			SS6090910TP			SCREW 9/64-40 L=9	1				FOR LU-2810S,;
68			40126159			UPPER_FEED_FRONT_ARM_	1				
69	*		40126157	40126159		UPPER_FEED_FRONT_ARM_	1	1.00			
70	*		40126158	40126159		UPPER_FEED_FRONT_ARM_	2	1.00			
71			40125876			UPPER_FEED_CAM_ROD	1				
72			40123345			FELT	2				
73			WP0651001SC			WASHER	2				
74			21350152			PRESSER FOOT ASM.	1				EXCHANGING C
75			22913008			FEED ROCKER SHAFT BUS	2				
76			CQ202000000			OIL WICK	.25				
77			CQ202000000			OIL WICK	.02				
78			CQ202000000			OIL WICK	.02				
79			CQ252000000			OIL WICK	.048				
80			CQ202000000			OIL WICK	.1				
81			CQ202000000			OIL WICK	.25				
82			CQ202000000			OIL WICK	.25				
83			CQ202000000			OIL WICK	.25				
84			WP0430800SD			WASHER M4	4				
85			40125877			PRESSURE_BAR_S_B	1				FOR LU-2810S,;
86			40125868			INSTALLING_PLATE	1				
87			40149115			ROCKING_LINK_PIN_A	1				SELECTIVE PAF
88			40149116			ROCKING_LINK_PIN_B	1				SELECTIVE PAF
89			40149117			ROCKING_LINK_PIN_C	1				SELECTIVE PAF
90			40149118			ROCKING_LINK_PIN_D	1				SELECTIVE PAF
91			40149120			FEED_ADJUSTING_PIN_A	2				SELECTIVE PAF
92			40149121			FEED_ADJUSTING_PIN_B	2				SELECTIVE PAF
93			40149122			FEED_ADJUSTING_PIN_C	2				SELECTIVE PAF
94			40149123			FEED_ADJUSTING_PIN_D	2				SELECTIVE PAF
95			40149125			FEED_ROD_PIN_A	1				SELECTIVE PAF
96			40149126			FEED_ROD_PIN_B	1				SELECTIVE PAF
97			40149127			FEED_ROD_PIN_C	1				SELECTIVE PAF
98			40149128			FEED_ROD_PIN_D	1				SELECTIVE PAF
99			SM80608A2TP			SCREW M6 L=8	1				



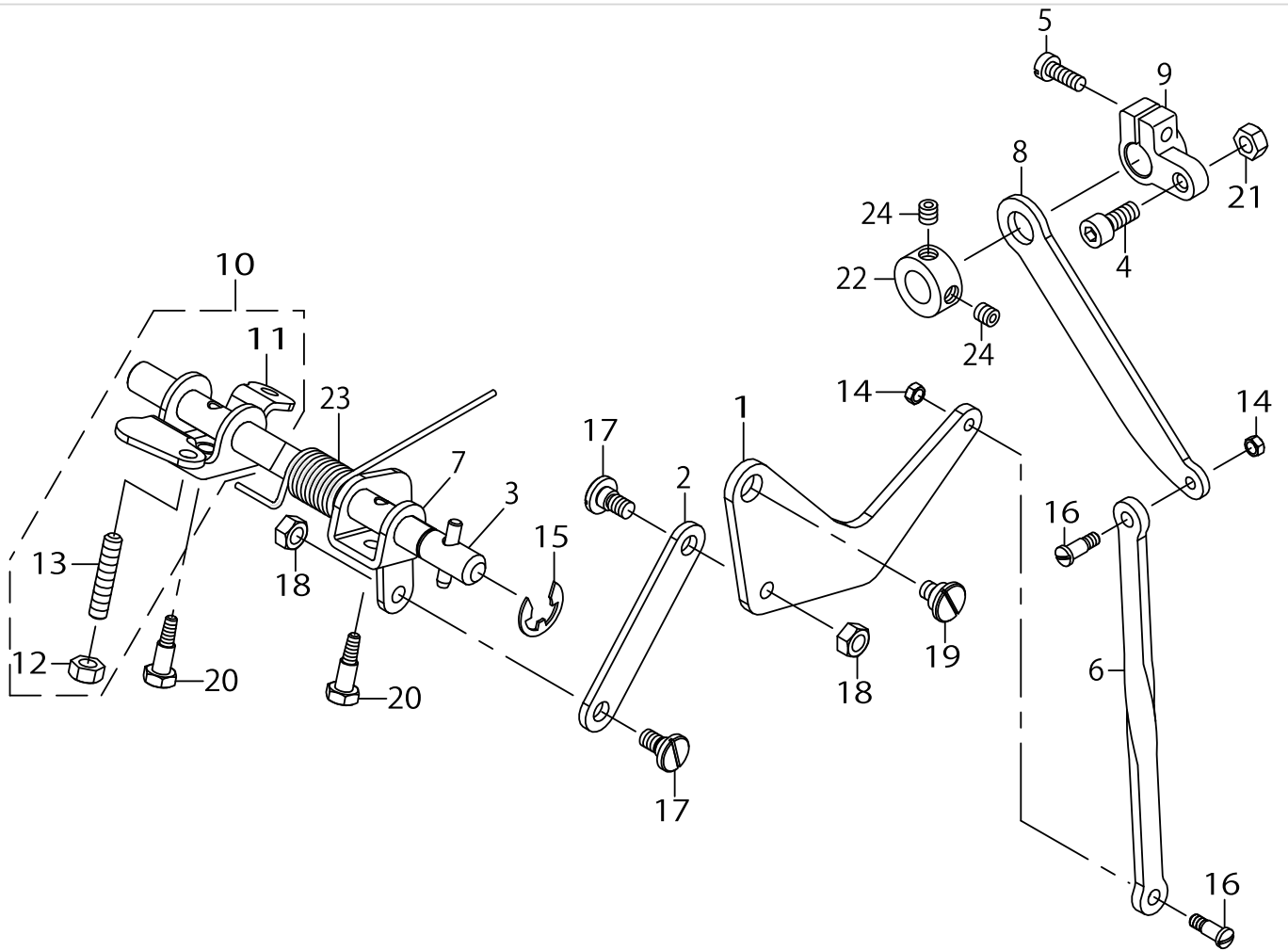
HAND LIFTER & AUTO LIFTER COMPONENTS



HAND LIFTER & AUTO LIFTER COMPONENTS

No.	C- ons	Le- vel	Parts No.	Replacement	Supply Code	Parts name	Qty	R- ep. Q- TY	Status	Spec	Remarks
1			40126367			SPRING	1				
2			40006716			THREAD_TRIMMER_SHAFT	1				
3			40112184			LIFTER_LEVER_A	1				
4			40126150			LIFTER_LEVER_B	1				
5			40144283			LIFTER PLATE	1				
6			40126364			LIFTER_SHAFT	1				
7			SM8060612TP			SCREW M6 L=6	1				
8			SM6051802TP			SCREW M5 L=18	1				
9			SM6050802TP			SCREW M5X0.8 L=8	2				
10			13409107			WASHER	1				
11			WZ1052010KP			WAVED WASHER	1				
12			BT0400251EB			URETHANE HOSE BLACK	.62				FOR LU-2810-7
13			18035303			WIRE MARK (4)	1				FOR LU-2810-7
14			40112187			KNUCKLE_JOINT_A	1				FOR LU-2810-7
15			40112188			LIFTING_ARM	1				FOR LU-2810-7
16			PA400150200			AIR CYLINDER	1				FOR LU-2810-7
17			22949101			ROLLER FULCRUM SHAFT	1				FOR LU-2810-7
18			SM6081552TP			SCREW M8 L=15	1				FOR LU-2810-7
19			SM6061602TP			SCREW M6 L=16	1				FOR LU-2810-7
20			SM6054502TN			SCREW M5 L=45	4				FOR LU-2810-7
21			PJ304045102			ELBOW UNION C	1				FOR LU-2810-7
22			13951009			PRESSER FOOT ROLLER	2				FOR LU-2810-7
23			RE0400000K0			E-RING 4	2				FOR LU-2810-7
24			40086018			BUSHING_MAIN_FEED	1				

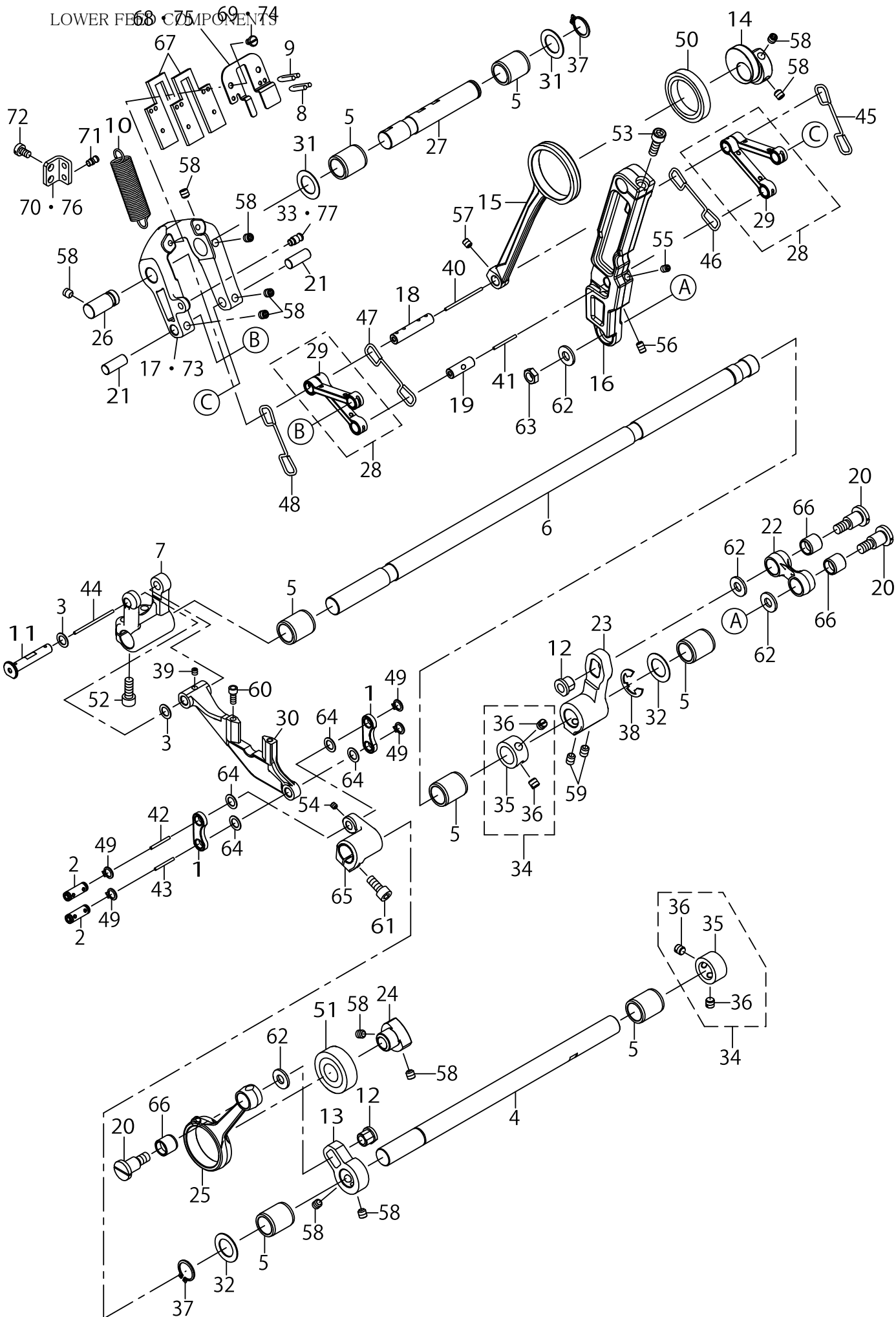
KNEE LIFTER COMPONENTS (FOR LU-2810,2860)



KNEE LIFTER COMPONENTS (FOR LU-2810,2860)

No.	C- ons	Le- vel	Parts No.	Replacement	Supply Code	Parts name	Qty	R- ep- Q- TY	Status	Spec	Remarks
1			40126270			KNEE_PAD_LINK_A	1				
2			40126271			KNEE_PAD_LINK_B	1				
3			40126356			KNEE_LIFTER_SHAFT_ASM.	1				
4			SM6051202TP			SCREW M5X0.8 L=12	1				
5			SM6051400SP			SCREW	1				
6			40126272			KNEE_PAD_LINK_D	1				
7			40126273			KNEE_PAD_DRIVING_ARM	1				
8			40126274			KNEE_PAD_LINK_C	1				
9			40112127			BACKWARD_FEED_CONNE	1				
10			22932156			KNEE LIFTER ROTATION /	1				
11		*	22932107	22932156		KNEE LIFTING ROTATING	1	1.00			
12		*	NM6060001SE			NUT M6	2				
13		*	SM8063012TR			SCREW M6 L=30	2				
14			NS6110310SP			NUT 11/64-40	2				
15			RE1000000K0			E-RING 10	1				
16			SD0500803TP			HINGE SCREW D=5 H=8	2				
17			40082078			SHOULDER SCREW D=7.24	2				
18			NM6060001SE			NUT M6	2				
19			SD1000406TP			SHOULDER SCREW	1				
20			SM9061853SR			SCREW M6 L=17.5	2				
21			NM6050001SD			NUT M5X0.8	1				
22			CS1201171TP			THRUST COLLAR D=12 W=	1				
23			23639503			SPRING	1				
24			SM8060612TP			SCREW M6 L=6	2				

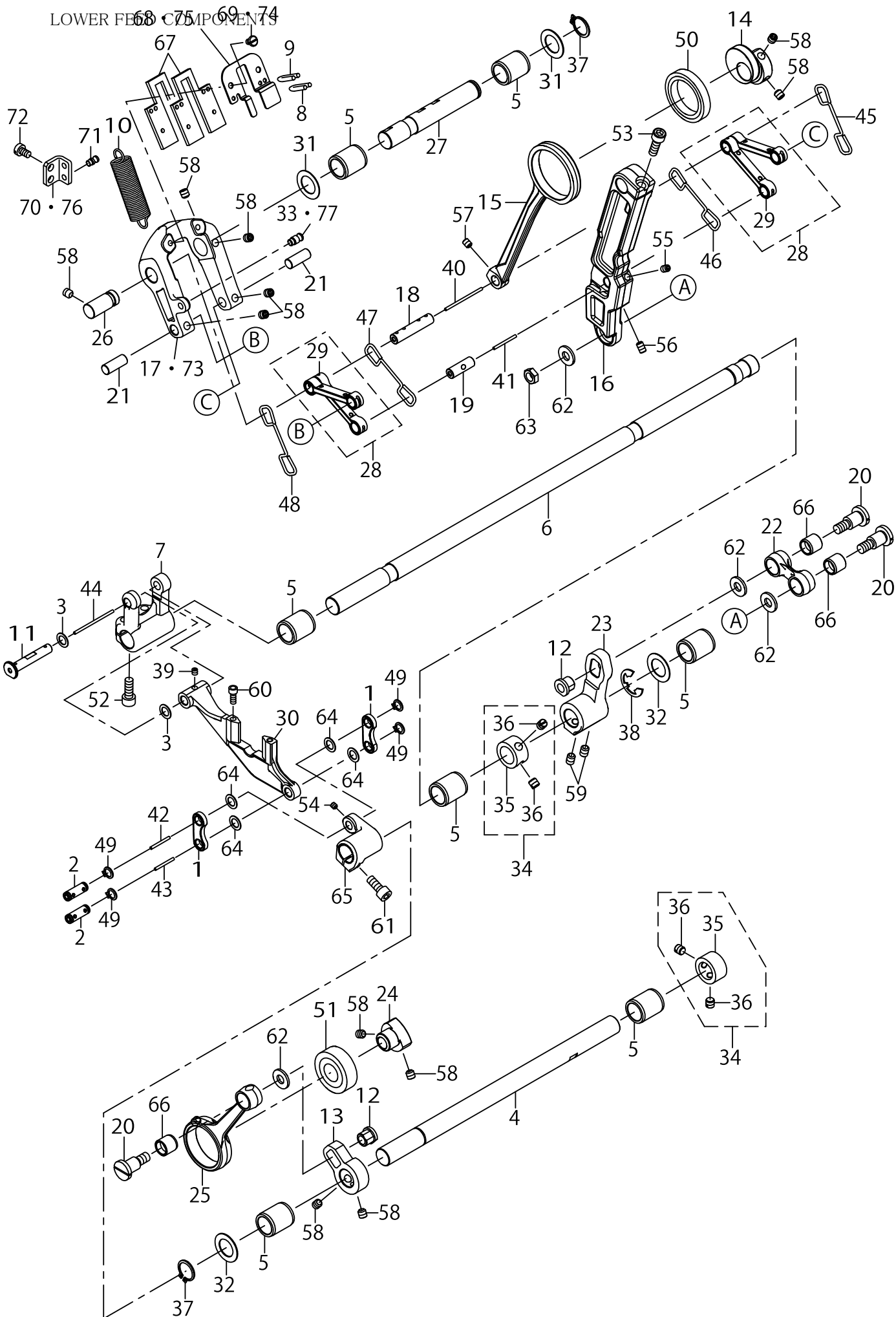
LOWER FEED COMPONENTS



LOWER FEED COMPONENTS

No.	C- ons	Le- vel	Parts No.	Replacement	Supply Code	Parts name	Qty	R- ep. Q- TY	Status	Spec	Remarks
1			40123666			VERTICAL_LINK	2				
2			40143626			VERTICAL FEED LINK SHA	2				
3			WP0740516SP			WASHER 7.4X11.8X0.5	2				
4			40123667			VERTICAL_FEED_LINK	1				
5			22913008			FEED ROCKER SHAFT BUS	7				
6			40126386			HORIZONTAL_FEED_SHAFT	1				
7			40126161			FEED_BASE_ARM	1				
8			CQ202000000			OIL WICK	.05				
9			CQ202000000			OIL WICK	.05				
10			40126401			SPRING.B	1				
11			40112098			FEED_BASE_SHAFT	1				
12			40126357			VERTICAL_FEED_ROD_NUT	2				
13			40125843			VERTICAL_FEED_ARM_REA	1				
14			40123626			HORIZONTAL_FEED_CAM	1				
15			40126151			HORIZONTAL_FEED ROD	1				
16			40123547			NEEDLE_BAR_ROCKING_LIN	1				
17			40123629			HORIZONTAL_FEED_CHAN	1				FOR LU-2810,28
18			40112118			FEED.ROD.PIN	1				
19			40123634			ROCKING_LINK_PIN	1				
20			SD1021251SP			HINGE SCREW D=10.20 H=	3				
21			40126375			FEED_ADJUSTING_PIN_A	2				
22			40125856			CONNECTION_LINK	1				
23			40123668			HORIZONTAL_FEED_ARM	1				
24			40123627			VERTICAL_FEED_CAM	1				
25			40125857			VERTICAL_FEED ROD	1				
26			40123639			HF_CHANGE_BASE_SUPPOF	1				
27			40123332			CHANGE_BASE_SHAFT	1				
28			40126339			CONNECTION_LINK_ASM.	2				
29		*	40123252	40126339		CONNECTION_LINK	2	1.00			
30			40112293			FEED_BASE	1				
31			D1231555B00			WASHER	2				
32			B125578100A			WASHER A	2				
33			40038494			THREAD_BIND_ARM_SPRINC	1				FOR LU-2810,28
34			22904155			MAIN SHAFT THRUST COL	2				
35		*	22904106	22904155		MAIN SHAFT THRUST COL	1	1.00			
36		*	SS8660610TP			SCREW 1/4-40 L=6	2				
37			RC0150001KP			RETAINING RING 13.8	2				
38			RE1200000K0			E-RING 12	1				
39			SS8110422TP			SCREW 11/64-40 L=4	1				
40			CQ202000000			OIL WICK	.042				
41			CQ202000000			OIL WICK	.02				
42			CQ202000000			OIL WICK	.024				
43			CQ202000000			OIL WICK	.024				
44			CQ202000000			OIL WICK	.04				
45			CQ202000000			OIL WICK	.3				
46			CQ202000000			OIL WICK	.3				
47			CQ202000000			OIL WICK	.3				
48			CQ202000000			OIL WICK	.3				
49			RC0650811KP			RETAINING RING	4				
50			40143087			BEARING	1				
51			40143085			BEARING	1				
52			SM6061602TP			SCREW M6 L=16	2				
53			SM6061802TP			SCREW M6 L=18	1				
54			SM8040412TP			SET SCREW M4 L=4	1				
55			SM8050842TP			SETSCREW	1				
56			SM8050812TP			SCREW M5X8	1				
57			SM8050612TP			SCREW M5X6	1				
58			SM8060612TP			SCREW M6 L=6	11				
59			SM8060812TP			SCREW M6 L=8	2				
60			SS6111052TP			SCREW	2				

LOWER FEED COMPONENTS

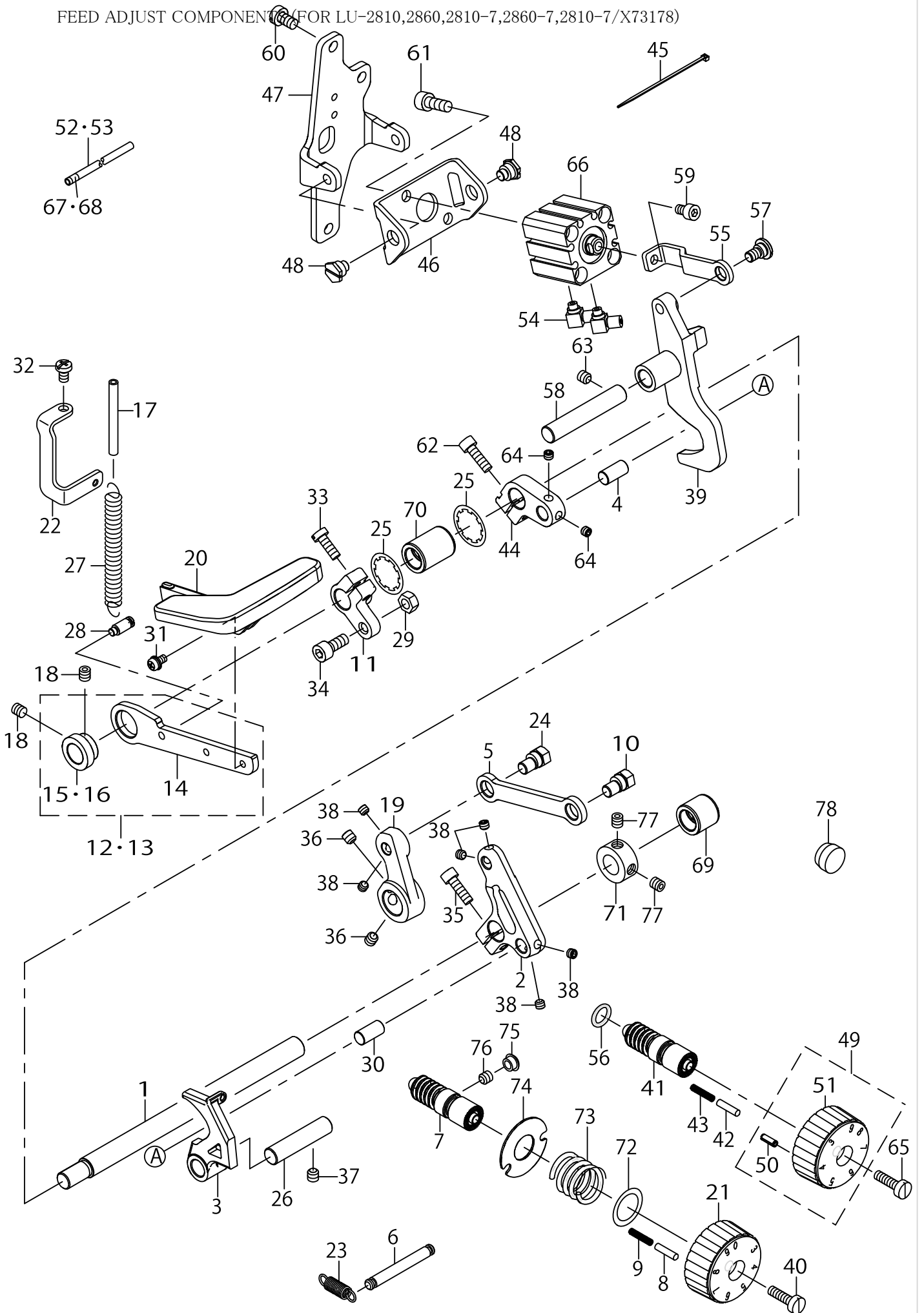


LOWER FEED COMPONENTS

No.	C- ons	Le- vel	Parts No.	Replacement	Supply Code	Parts name	Qty	R- ep. Q- TY	Status	Spec	Remarks
61			SM6061402TP			SCREW M6 L=14	1				
62			26018705			WASHER	4				
63			NS6680410SP			NUT 9/32-28	1				
64			WP0740516SP			WASHER 7.4X11.8X0.5	4				
65			40125935			VERTICAL_FEED_ARM_FRO	1				
66			40126359			VERTICAL_FEED_ROD_BUS	3				
67			40123345			FELT	2				
68			40123346			FELT HOLDER	1				FOR LU-2810,28
69			SM6040650TP			SCREW	2				FOR LU-2810,28
70			12288908			THROAT PLATE BASE B SU	1				FOR LU-2810,28
71			26017400			SPRING RAC	1				
72			SM6050800SP			SCREW M5 L=8	2				
73			40137553			HORIZONTAL_FEED_CHAN	1				FOR LU-2818-7
74			SM6040650TP			SCREW	1				FOR LU-2818-7
75			40137554			FELE HOLDER	1				FOR LU-2818-7
76			40137779			SUPPORT_PLATE	1				FOR LU-2818-7
77			40137780			SPRING_RAC	1				FOR LU-2818-7



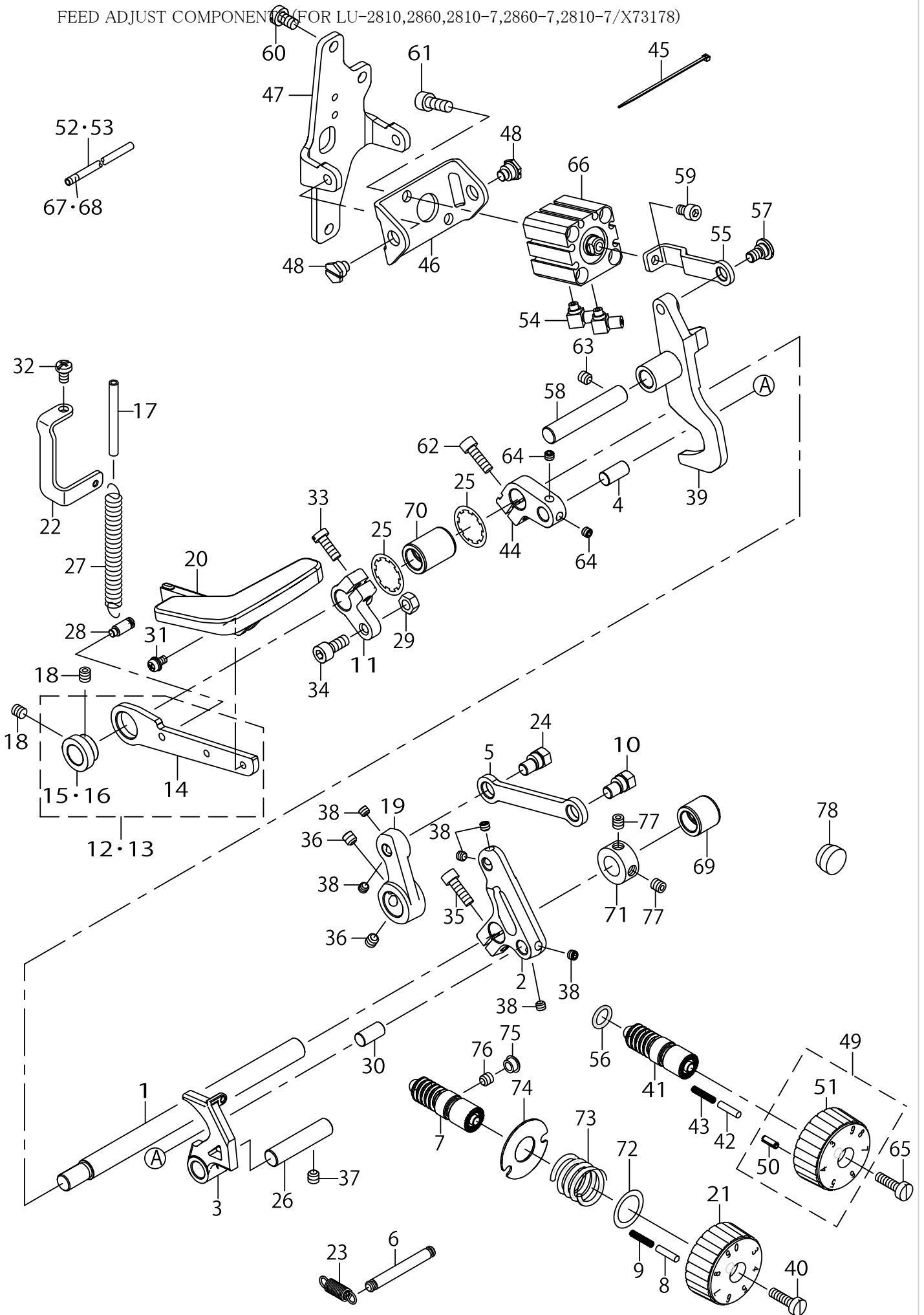
FEED ADJUST COMPONENTS (FOR LU-2810,2860,2810-7,2860-7,2810-7/X73178)



FEED ADJUST COMPONENTS (FOR LU-2810,2860,2810-7,2860-7,2810-7/X73178)

No.	C- ons	Le- vel	Parts No.	Replacement	Supply Code	Parts name	Qty	R- ep- Q- TY	Status	Spec	Remarks
1			40126363			BACKWARD_FEED_LEVER_	1				
2			40125934			FEED_ADJUSTING_PIN_HOL	1				
3			40125919			ADJUSTING_BASE_A	1				
4			40131887			FEED_ADJUSTING_PIN	1				FOR LU-2810-7
5			40126561			FEED_ADJUSTING_LINK	1				
6			13518501			SPRING SUSPENSION	1				
7	☆		22911804			FEED REGULATOR SCREW	1				
8			40122887			FEED REGULATOR PIN	1				
9			22912109			FEED REGULATOR PIN SPI	1				
10			23613409			FEED_ADJUSTING_PIN	1				
11			40112127			BACKWARD_FEED_CONNEI	1				FOR LU-2810-7
12			40112128			REVERSE_FEED_LEVER_PLA	1				FOR LU-2810-7
13			40126362			REVERSE_FEED_LEVER_ASM	1				FOR LU-2810,28
14		*	40112281	40112128		REVERSE_FEED_REVER_PLA	1	1.00	選択部品	糸切り仕様	
14		*	40112281	40126362		REVERSE_FEED_REVER_PLA	1	1.00	選択部品	糸切り無仕様	
15		*	40112282	40112128		REVERSE_FEED_REVER_BU	1	1.00	選択部品	for LU	FOR LU-2810-7
15		*	40112282	40129991		REVERSE_FEED_REVER_BU	1	1.00	選択部品	for PLC	FOR LU-2810-7
16		*	40126555			REVERSE_FEED_LEVER_BU	1				FOR LU-2810,28
17			23630007			TUBE	.08				FOR LU-2810-7
18			SM8060612TP			SCREW M6 L=6	2				FOR LU-2810,28
19			40123628			FEED_ADJUSTING_ARM	1				
20			40126116			REVERSE_FEED_LEVER_DR	1				
21	☆		40142199			FEED_DIAL	1				
22			40125864			REVERSE_FEED_LEVER_SPI	1				FOR LU-2810-7
23			10721306			CHANGE SPRING	1				
24			23613409			FEED_ADJUSTING_PIN	1				
25			WT1780011KP			TOOTHED WASHER 18	2				
26			40033825			HEAD_FIXED_SHAFT	1				
27			D2629M1YC0F			SPRING	1				FOR LU-2810-7
28			26229302			SUSPENSION SCREW	1				FOR LU-2810-7
29			NM6050001SD			NUT M5X0.8	1				FOR LU-2810-7
30			40134959			FEED_ADJUSTING_PIN	1				
31			SL4040881SC			SCREW M4 L=8	2				
32			SM4050855SP			SCREW	1				FOR LU-2810-7
33			SM6051400SP			SCREW	1				FOR LU-2810-7
34			SM6051202TP			SCREW M5X0.8 L=12	1				FOR LU-2810-7
35			SM6051602TP			SCREW M5X0.8 L=16	1				
36			SM8060612TP			SCREW M6 L=6	2				
37			SM8060612TP			SCREW M6 L=6	1				
38			SM8050412TP			SCREW M5 L=4	6				
39			40125920			ADJUSTING_BASE_B	1				FOR LU-2810-7
40			SS6121860SP			SCREW 3/16-28 L=18	1				
41	☆		22911804			FEED REGULATOR SCREW	1				FOR LU-2810-7
42			22912000			FEED REGULATOR PIN	1				FOR LU-2810-7
43			22912109			FEED REGULATOR PIN SPI	1				FOR LU-2810-7
44			40125858			FEED_ADJUSTING_PIN_HOL	1				FOR LU-2810-7
45			EA9500B0100			CABLE BAND	1				
46			40126642			CYLINDER_BASE_A	1				FOR LU-2810-7
47			40126643			CYLINDER_BASE_B	1				FOR LU-2810-7
48			SD0900426TP			SHOULDER SCREW D=9 H=	2				FOR LU-2810-7
49			40142200			FEED_DIAL(A) ASM.	1				FOR LU-2810-7
50		*	PS0350102KR			SPRING PIN 3.5X10	1				FOR LU-2810-7
51	☆	*	40142201	40142200		FEED_DIAL(A)	1	1.00			
52			BT0400251EB			URETHANE HOSE BLACK	.36				FOR LU-2810-7
53			BT0400251EB			URETHANE HOSE BLACK	.36				FOR LU-2810-7
54			PJ046052503			HOSE ELBOW	2				FOR LU-2810-7
55			40112267			CYLINDER_JOINT	1				FOR LU-2810-7
56	☆		RO092270200			RUBBER RING	1				FOR LU-2810-7
57			SD0800346TP			SHOULDER SCREW	1				FOR LU-2810-7
58			40077931			PRESSURE_LOWERING_SHA	1				FOR LU-2810-7

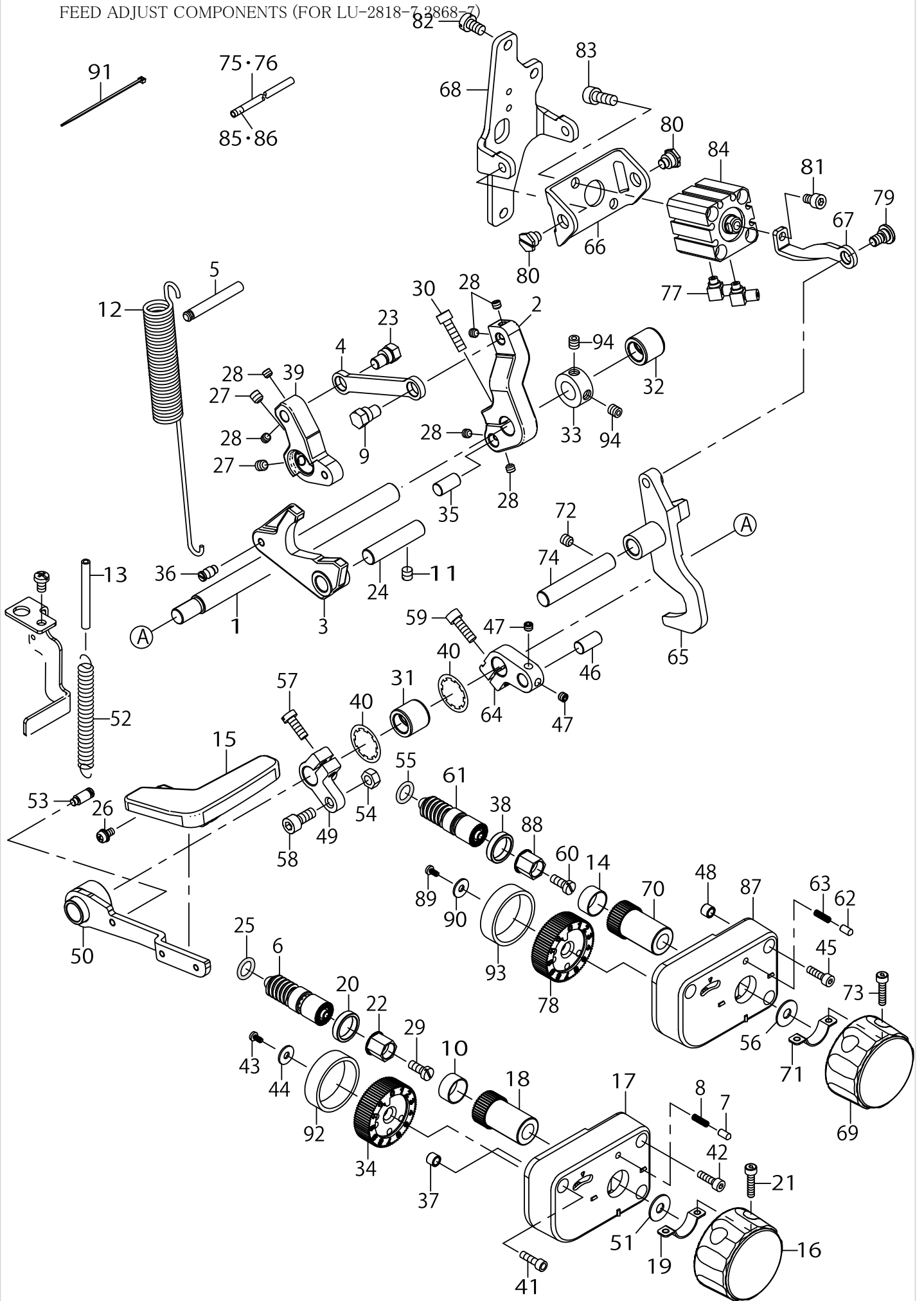
FEED ADJUST COMPONENTS (FOR LU-2810,2860,2810-7,2860-7,2810-7/X73178)



FEED ADJUST COMPONENTS (FOR LU-2810,2860,2810-7,2860-7,2810-7/X73178)

No.	C- ons	Le- vel	Parts No.	Replacement	Supply Code	Parts name	Qty	R- ep. Q- TY	Status	Spec	Remarks
59			SM6050802TP			SCREW M5X0.8 L=8	1				FOR LU-2810-7
60			SM6061010TP			SCREW M6 L=10	3				FOR LU-2810-7
61			SM6061602TP			SCREW M6 L=16	2				FOR LU-2810-7
62			SM6051602TP			SCREW M5X0.8 L=16	1				FOR LU-2810-7
63			SM8060612TP			SCREW M6 L=6	1				FOR LU-2810-7
64			SM8050412TP			SCREW M5 L=4	2				FOR LU-2810-7
65			SS6121860SP			SCREW 3/16-28 L=18	1				FOR LU-2810-7
66			PA200150900			AIR CYLINDER	1				FOR LU-2810-7
67			18035006			CABLE MARK NO.1	1				FOR LU-2810-7
68			18035105			WIRE MARK (2)	1				FOR LU-2810-7
69			40143624			BUSHING MAIN FEED	1				
70			13424502			BUSHING FRONT	1				
71			CS1201171TP			THRUST COLLAR D=12 W=	1				
72			WP1751616SD			WASHER 17.5X24X1.6	1				
73			23534506			FEED DIAL SPRING	1				
74			40090101			FEED_DIAL_STOPPER_WASI	1				
75			TA0750404R0			PLUG D=7.5 L=3.5	1				
76			SM8060612TP			SCREW M6 L=6	1				
77			SM8060612TP			SCREW M6 L=6	2				
78			TA1550902R0			PLUG	1				LU-2810-7/X73

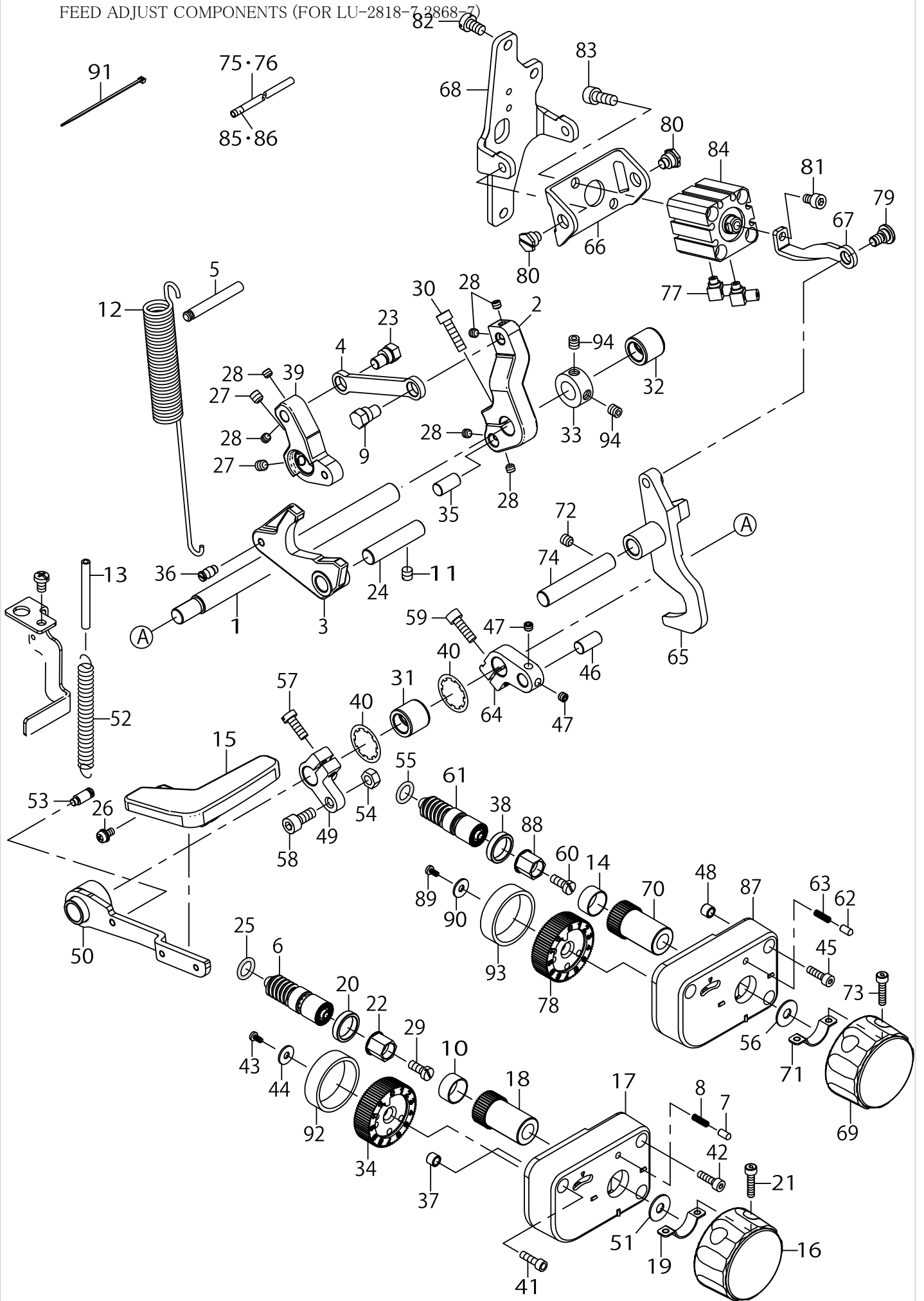
FEED ADJUST COMPONENTS (FOR LU-2818-7.3868-7)



FEED ADJUST COMPONENTS (FOR LU-2818-7,2868-7)

No.	C- ons	Le- vel	Parts No.	Replacement	Supply Code	Parts name	Qty	R- ep. Q- TY	Status	Spec	Remarks
1			40126363			BACKWARD_FEED_LEVER_	1				
2			40129986			FEED_ADJUSTING_PIN_HOL	1				
3			40129984			ADJUSTING_BASE_A	1				
4			40129988			FEED_ADJUSTING_LINK	1				
5			40134528			SPRING SUSPENSION	1				
6	☆		22911804			FEED REGULATOR SCREW	1				
7	☆		10715704			VERTICAL DIAL PIN	1				
8			B152652700G			SPRING	1				
9			23613409			FEED ADJUSTING PIN	1				
10			40137613			DIAL PLATE BUSH	1				
11			SM8060612TP			SCREW M6 L=6	1				
12			40134105			FEED_ADJUSTING_BASE_SP	1				
13			23630007			TUBE	.08				
14			40137613			DIAL PLATE BUSH	1				
15			40126116			REVERSE_FEED_LEVER_DR	1				
16	☆		40130004			FEED_DIAL_KNOB	1				
17			40130001			FEED_DIAL_COVER_A	1				
18			40130003			FEED_DIAL_GEAR	1				
19			40130005			FEED_DIAL_SUPPORT_PLA1	1				
20			40133826			SPACER	1				
21			SM6041802TP			SCREW M4 L=18	2				
22			40130006			HEXA_SHAFT	1				
23			23613409			FEED ADJUSTING PIN	1				
24			40033825			HEAD_FIXED_SHAFT	1				
25	☆		RO092270200			O-RING	1				
26			SL4040881SC			SCREW M4 L=8	2				
27			SM8060612TP			SCREW M6 L=6	2				
28			SM8050412TP			SCREW M5 L=4	6				
29			SS6121210SP			SCREW 3/16-28 L=12	1				
30			SM6052002TP			SCREW M5X0.8 L=20	1				
31			13424502			BUSHING FRONT	1				
32			40143624			BUSHING MAIN FEED	1				
33			CS1201171TP			THRUST COLLAR D=12 W=	1				
34			40132118			FEED_DIAL_PLATE_A	1				
35			40134959			FEED ADJUSTING PIN A	1				
36			40137780			SPRING RAC	1				
37			B4122804000			ROLLER	1				
38			40133826			SPACER	1				
39			40130412			FEED_ADJUSTING_ARM_BT	1				
40			WT1780011KP			TOOTHED WASHER 18	2				
41			SM6041402TP			SCREW M4 L=14	1				
42			SM6040802TP			SCREW M4X0.7 L=8	2				
43			40130820			SCREW	1				
44			WP0431005SP			PLAIN WASHER	1				
45			SM6041402TP			SCREW M4 L=14	3				
46			40131887			FEED_ADJUSTING_PIN	1				
47			SM8050412TP			SCREW M5 L=4	2				
48			B4122804000			ROLLER	3				
49			40112127			BACKWARD_FEED_CONNE	1				
50			40129991			REVERSE_FEED_LEVER_ASM	1				
51			WP0621036SP			WASHER	4				
52			D2629M1YC0F			SPRING	1				
53			26229302			SUSPENSION SCREW	1				
54			NM6050001SD			NUT M5X0.8 TYPE1	1				
55	☆		RO092270200			O-RING	1				
56			WP0621036SP			WASHER	4				
57			SM6051400SP			SCREW	1				
58			SM6051202TP			SCREW M5X0.8 L=12	1				
59			SM6051602TP			SCREW M5X0.8 L=16	1				
60			SS6121210SP			SCREW 3/16-28 L=12	1				

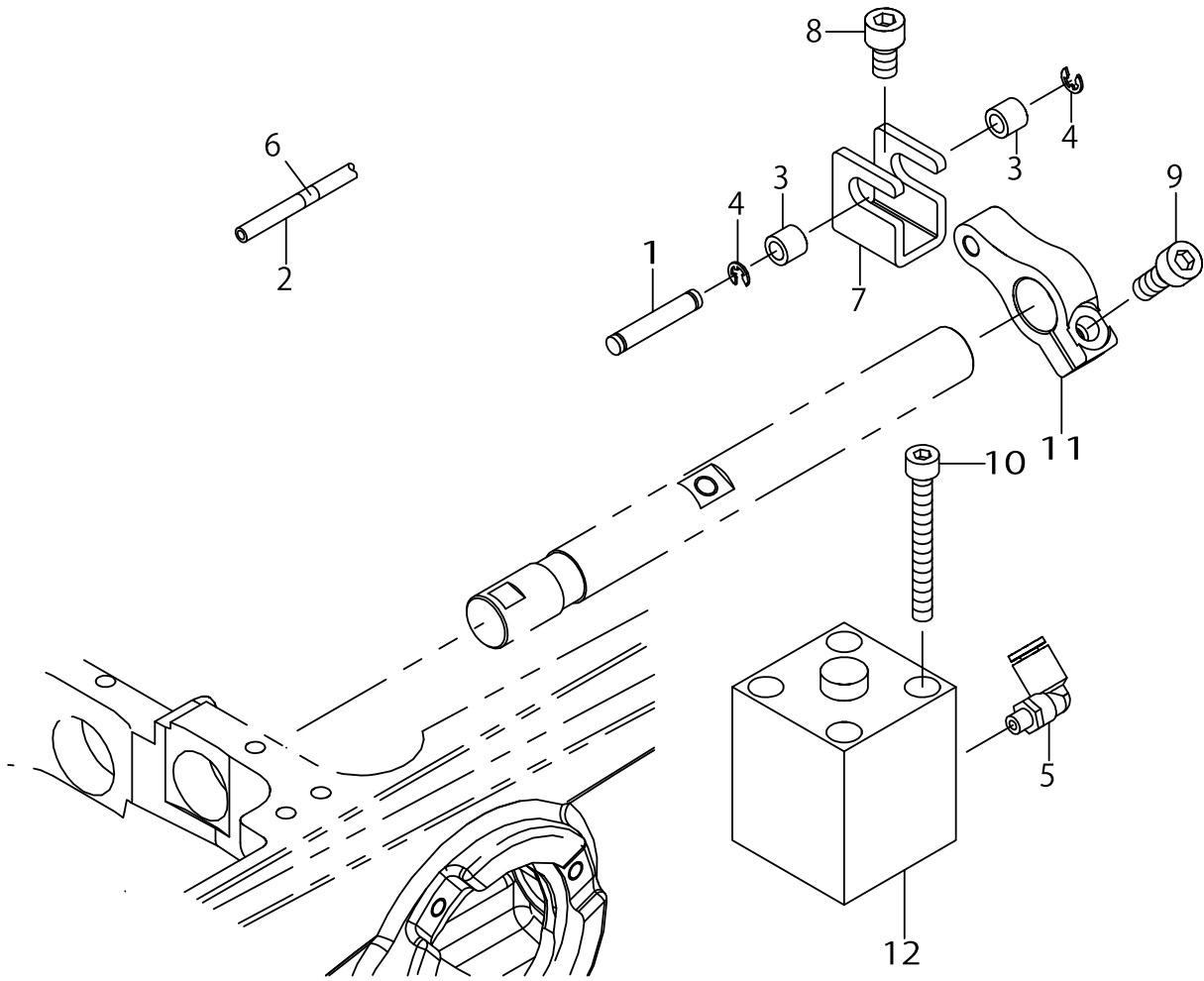
FEED ADJUST COMPONENTS (FOR LU-2818-7.3868-7)



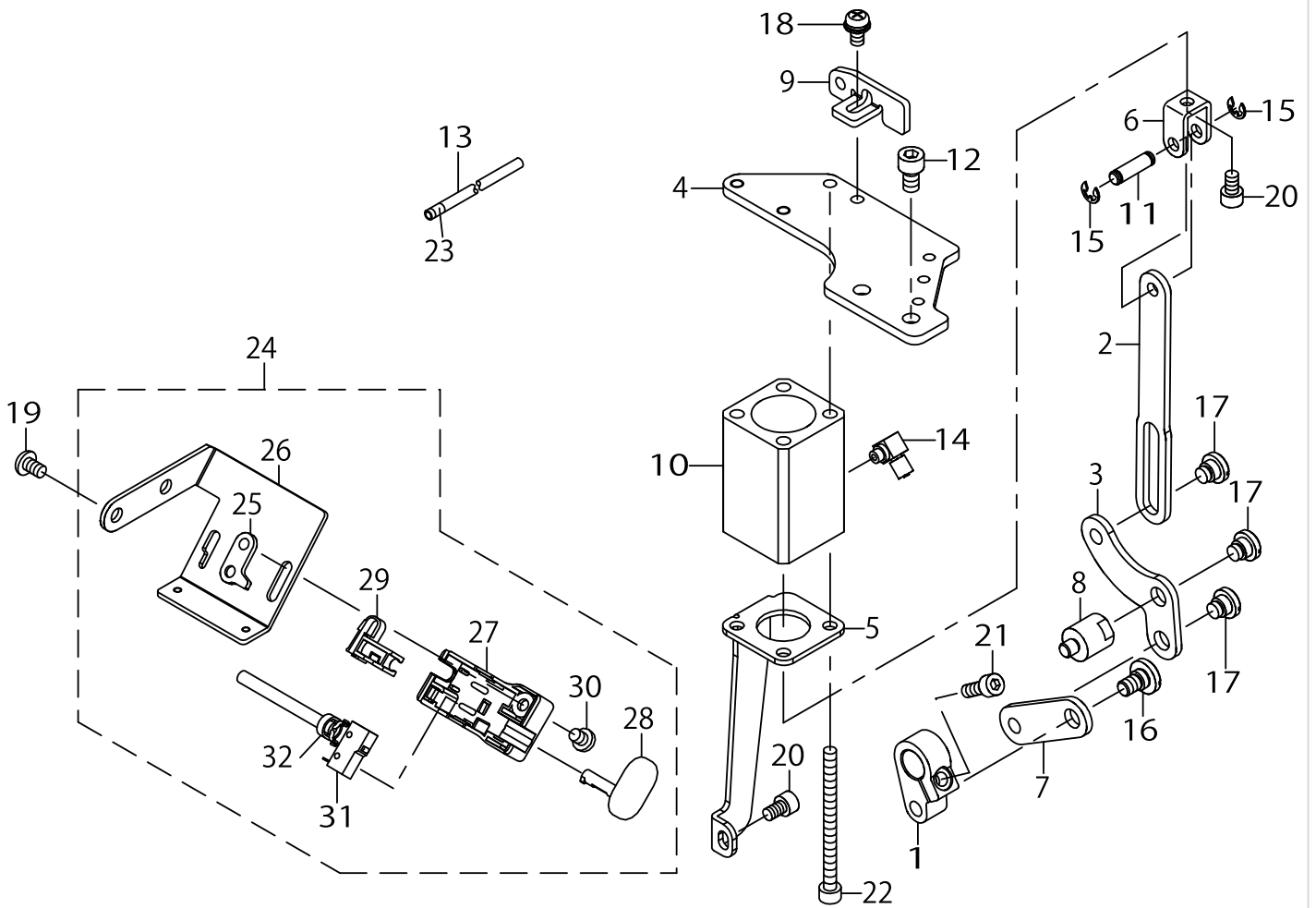
FEED ADJUST COMPONENTS (FOR LU-2818-7,2868-7)

No.	C- ons	Le- vel	Parts No.	Replacement	Supply Code	Parts name	Qty	R- ep. Q- TY	Status	Spec	Remarks
61	☆		22911804			FEED REGULATOR SCREW	1				
62	☆		10715704			VERTICAL DIAL PIN	1				
63			B152652700G			SPRING	1				
64			40125858			FEED_ADJUSTING_PIN_HOL	1				
65			40129985			ADJUSTING_BASE_B	1				
66			40126642			CYLINDER_BASE_A	1				
67			40129999			CYLINDER_JOINT_B	1				
68			40126643			CYLINDER_BASE_B	1				
69	☆		40130004			FEED_DIAL_KNOB	1				
70			40130003			FEED_DIAL_GEAR	1				
71			40130005			FEED_DIAL_SUPPORT_PLA1	1				
72			SM8060612TP			SCREW M6 L=6	1				
73			SM6041802TP			SCREW M4 L=18	2				
74			40077931			PRESSURE_LOWERING_SHA	1				
75			BT0400251EB			URETHANE TUBE BLACK 4	.36				
76			BT0400251EB			URETHANE TUBE BLACK 4	.36				
77			PJ046052503			HOSE ELBOW	2				
78			40132118			FEED_DIAL_PLATE_A	1				
79			SD0800346TP			SHOULDER SCREW D=8 H=	1				
80			SD0900426TP			SHOULDER SCREW D=9 H=	2				
81			SM6050802TP			SCREW M5X0.8 L=8	1				
82			SM6061010TP			SCREW M6 L=10	3				
83			SM6061602TP			SCREW M6 L=16	2				
84			PA200150900			AIR CYLINDER	1				
85			18035006			CABLE MARK NO.1	1				
86			18035105			WIRE MARK (2)	1				
87			40130819			FEED_DIAL_COVER_B	1				
88			40130006			HEXA_SHAFT	1				
89			40130820			SCREW	2				
90			WP0431005SP			PLAIN WASHER	2				
91			EA9500B0100			CABLE BAND	2				
92			40137612			DIAL PLATE BUSH	1				
93			40137612			DIAL PLATE BUSH	1				
94			SM8060612TP			SCREW M6 L=6	2				





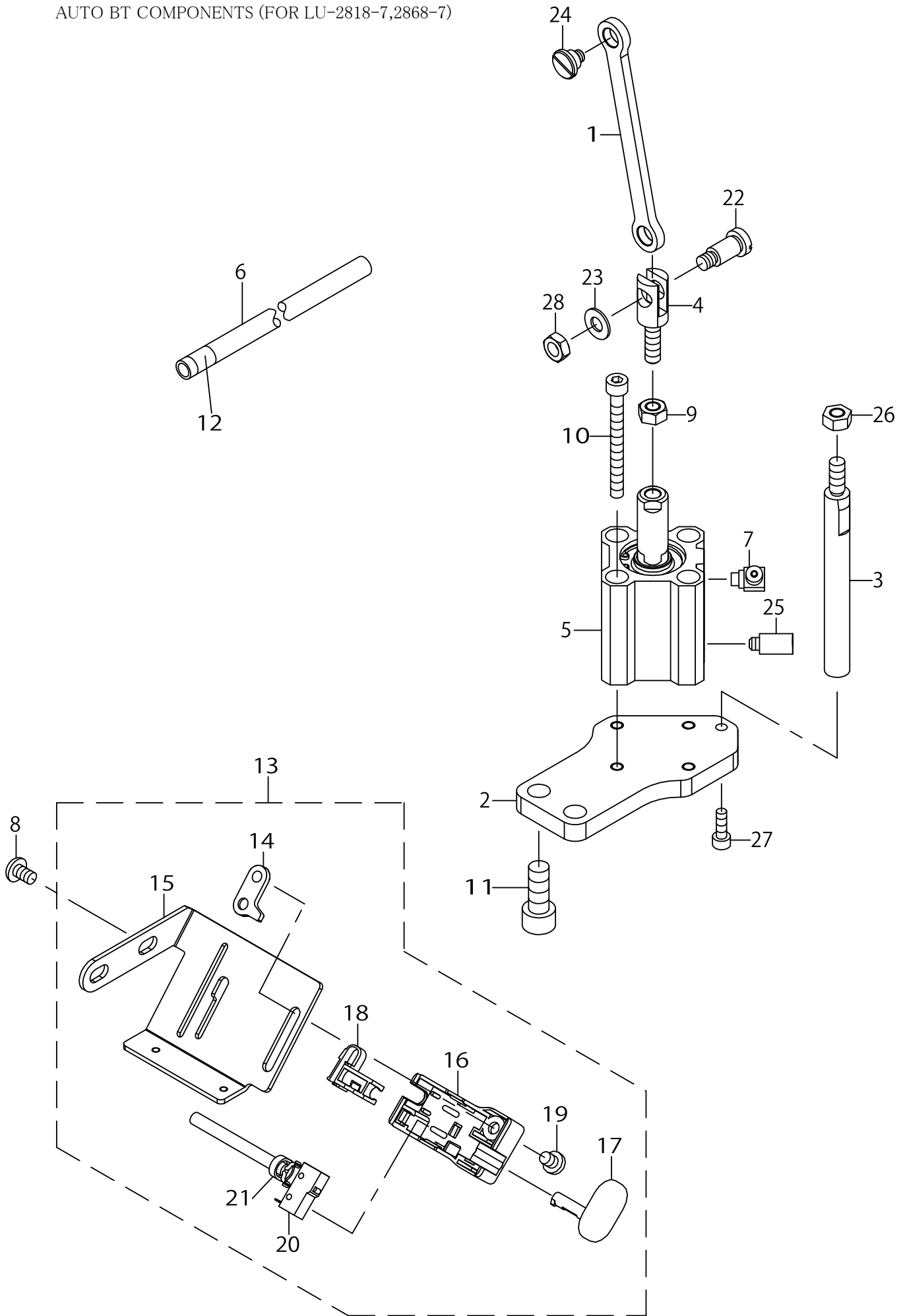




AUTO BT COMPONENTS (FOR LU-2810-7,2860-7,2810-7/X73178)

No.	C- ons	Le- vel	Parts No.	Replacement	Supply Code	Parts name	Qty	R- ep. Q- TY	Status	Spec	Remarks
1			40112136			BT_ARM	1				
2			40112137			LINK_A	1				
3			40112138			LINK_B	1				
4			40125872			CYLINDER_BRACKET	1				
5			40112140			CYLINDER_STAY	1				
6			40112149			CYLINDER_KNUCKLE	1				
7			40112150			LINK_C	1				
8			40112151			BT_LINK_STUD	1				
9			40112228			MOTOR_COVER_FITTING_P	1				
10			40142208			AIR CYLINDER	1				
11			D2464555B00			LINK DRIVING MAGNET PI	1				
12			SM6061002TP			SCREW M6 L=10	2				
13			BT0400251EB			URETHANE HOSE BLACK	.27				
14			PJ046052503			HOSE ELBOW	1				
15			RE0400000K0			E-RING 4	2				
16			SD0800321TH			HINGE SCREW D=8 H=3.2	1				
17			SD0800341SP			HINGE SCREW D=8 H=3.4	3				
18			SL4051091SC			SCREW M5X0.8 L=10	1				
19			SM4050855SP			SCREW	2				
20			SM6050802TP			SCREW M5X0.8 L=8	2				
21			SM6051402TP			SCREW M5X0.8 L=14	1				
22			SM6056552TP			SCREW	3				
23			18035709			WIRE MARK (8)	1				
24			40112288			TB_SWITCH_ASSY	1				
25		*	23632102			REVERSE FEED SWITCH B	1				
26		*	40112213			TB_SW_MOUNTING_PLATE	1				
27		*	23631708			REVERSE FEED SWITCH C	1				
28		*	23631807			REVERSE FEED SWITCH SH	1				
29		*	23631906			REVERSE FEED SWITCH SU	1				
30		*	SS7110740TP			SCREW 11/64-40 L=7	1				
31		*	40126129			REVERSE FEED CORD ASM	1				
32		*	EA9500B0100			CABLE BAND	1				

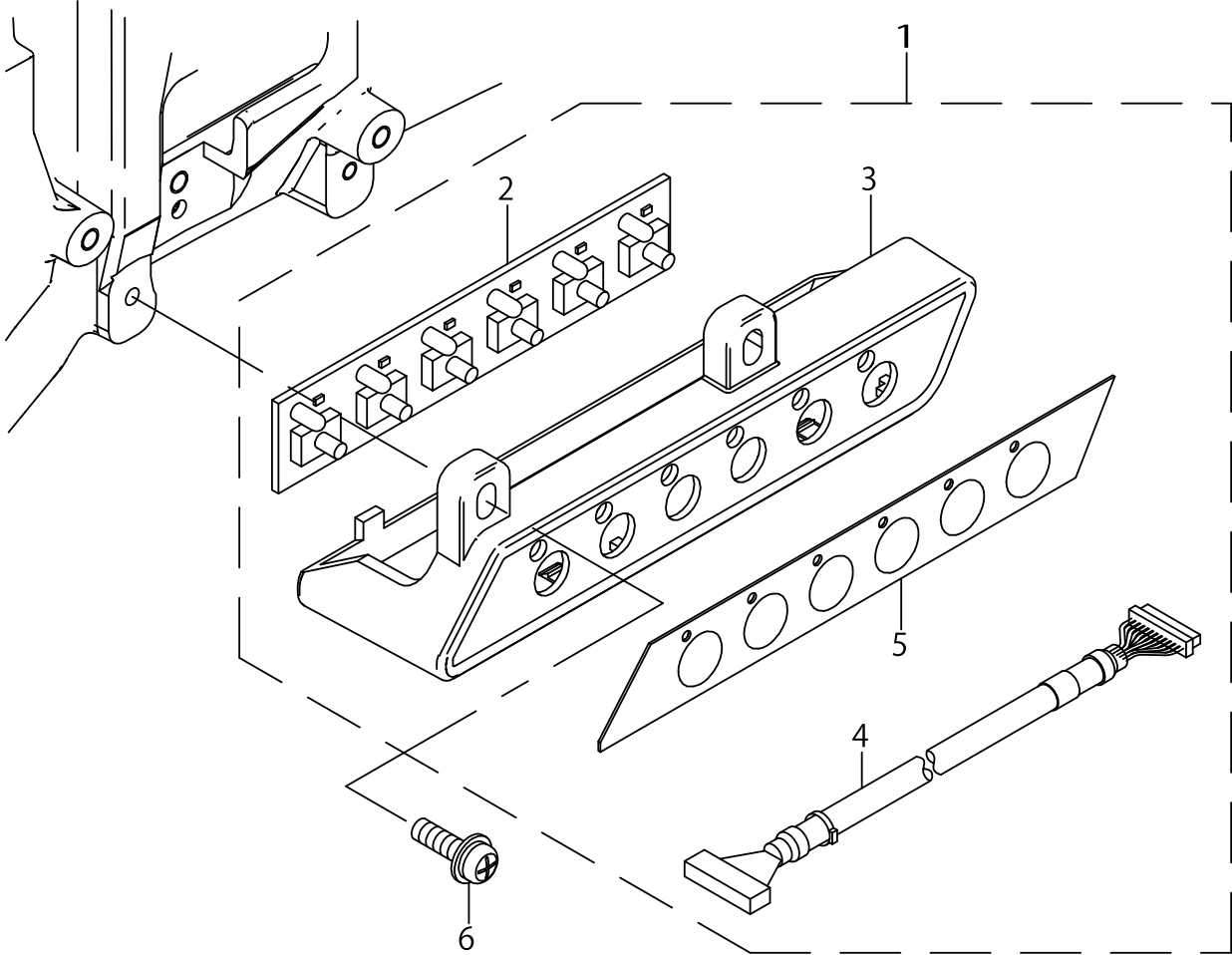
AUTO BT COMPONENTS (FOR LU-2818-7,2868-7)



AUTO BT COMPONENTS (FOR LU-2818-7,2868-7)

No.	C- ons	Le- vel	Parts No.	Replacement	Supply Code	Parts name	Qty	R- ep. Q- TY	Status	Spec	Remarks
1			40147946			BT_LINK	1				
2			40147947			BT_CYLINDER_PLATE	1				
3			40147948			BT_PLATE_STUD	1				
4			40052254			CYLINDER KNUCKLE JOIN	1				
5			PA250250900			AIR CYLINDER	1				
6			BT0400251EB			URETHANE TUBE BLACK 4	3				
7			PJ046052503			HOSE ELBOW	1				
8			SM4050855SP			SCREW	2				
9			NM6060001CP			NUT M6X1 TYPE1	1				
10			SM6055002TP			SCREW M5 L=50	4				
11			SM6082002TP			SCREW M8 L=20	2				
12			18035907			WIRE MARK (10)	1				
13			40112288			TB_SWITCH_ASSY	1				
14		*	23632102			REVERSE FEED SWITCH B	1				
15		*	40112213			TB_SW_MOUNTING_PLATE	1				
16		*	23631708			REVERSE FEED SWITCH C	1				
17		*	23631807			REVERSE FEED SWITCH SH	1				
18		*	23631906			REVERSE FEED SWITCH SU	1				
19		*	SS7110740TP			SCREW 11/64-40 L=7	1				
20		*	40126129			REVERSE FEED CORD ASM	1				
21		*	EA9500B0100			CABLE BAND	1				
22			SD0791271SP			HINGE SCREW D=7.94 H=1	1				
23			WP0621016SD			WASHER 6.2X13X1	1				
24			SD0800406TP			SHOULDER SCREW D=8 H=	1				
25			PX050501000			SILENCER	1				
26			NM6060001SC			NUT M6	1				
27			SM6041202TP			SCREW M4X0.7 L=12	1				
28			NS6150430SP			NUT 15/64-28	1				

6-RANGE SW COMPONENTS (FOR LU-2810-7,2860-7,2818-7,2868-7,2810-7/X73178)

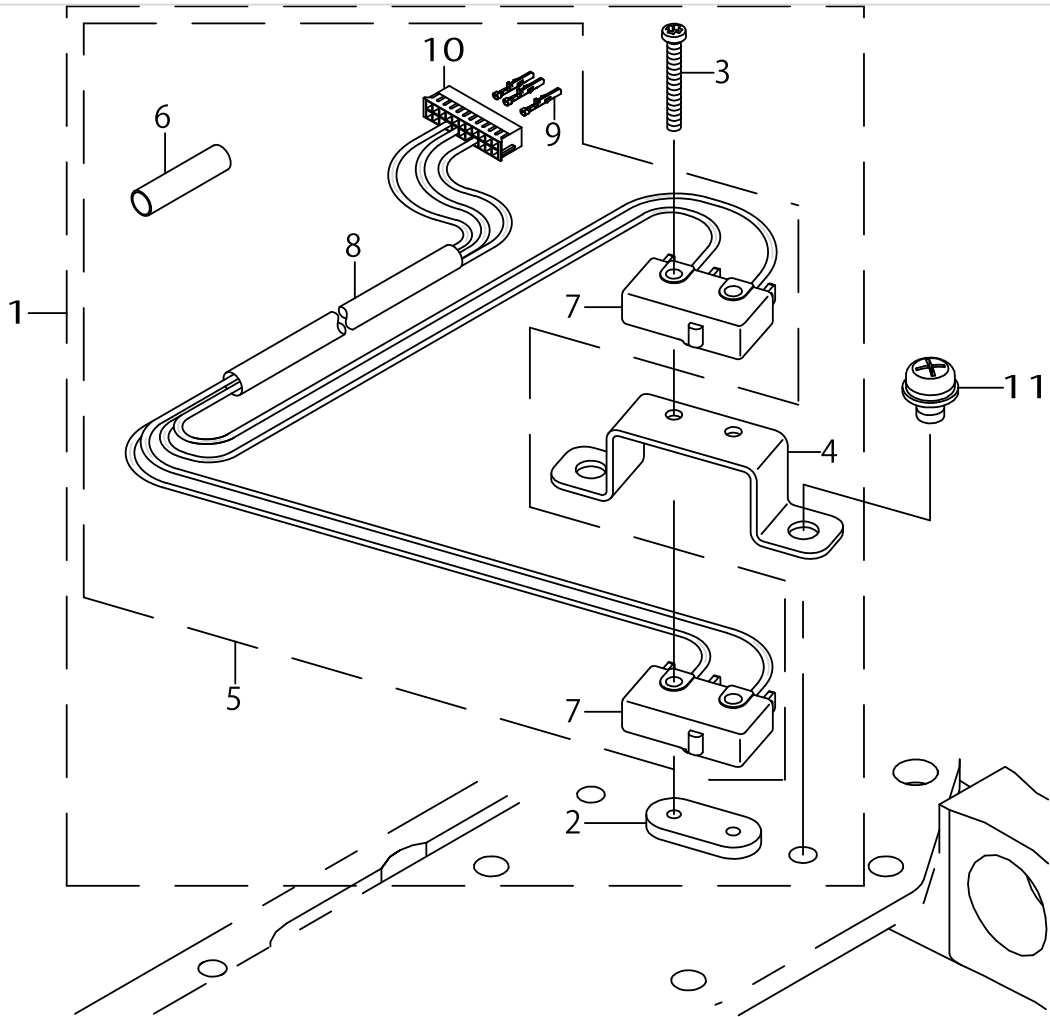


6-RANGE SW COMPONENTS (FOR LU-2810-7,2860-7,2818-7,2868-7,2810-7/X73178)

No.	C- ons	Le- vel	Parts No.	Replacement	Supply Code	Parts name	Qty	R- ep- Q- TY	Status	Spec	Remarks
1			40105508			6RANGE SWITCH ASM.	1				
2		*	40105510			6RANGE SWITCH PCB ASS'	1				
3		*	40112215	40105508		6RANGE_SWITCH_COVER	1	1.00	選択部品	LU2800	
3		*	40112215	40130287		6RANGE_SWITCH_COVER	1	1.00	選択部品	PLC2700	
4		*	40105509			6RANGE SWITCH CABLE A	1				
5		*	40112216			PANEL SHEET	1				
6		*	SL4041491SC			SCREW 4X14	2				



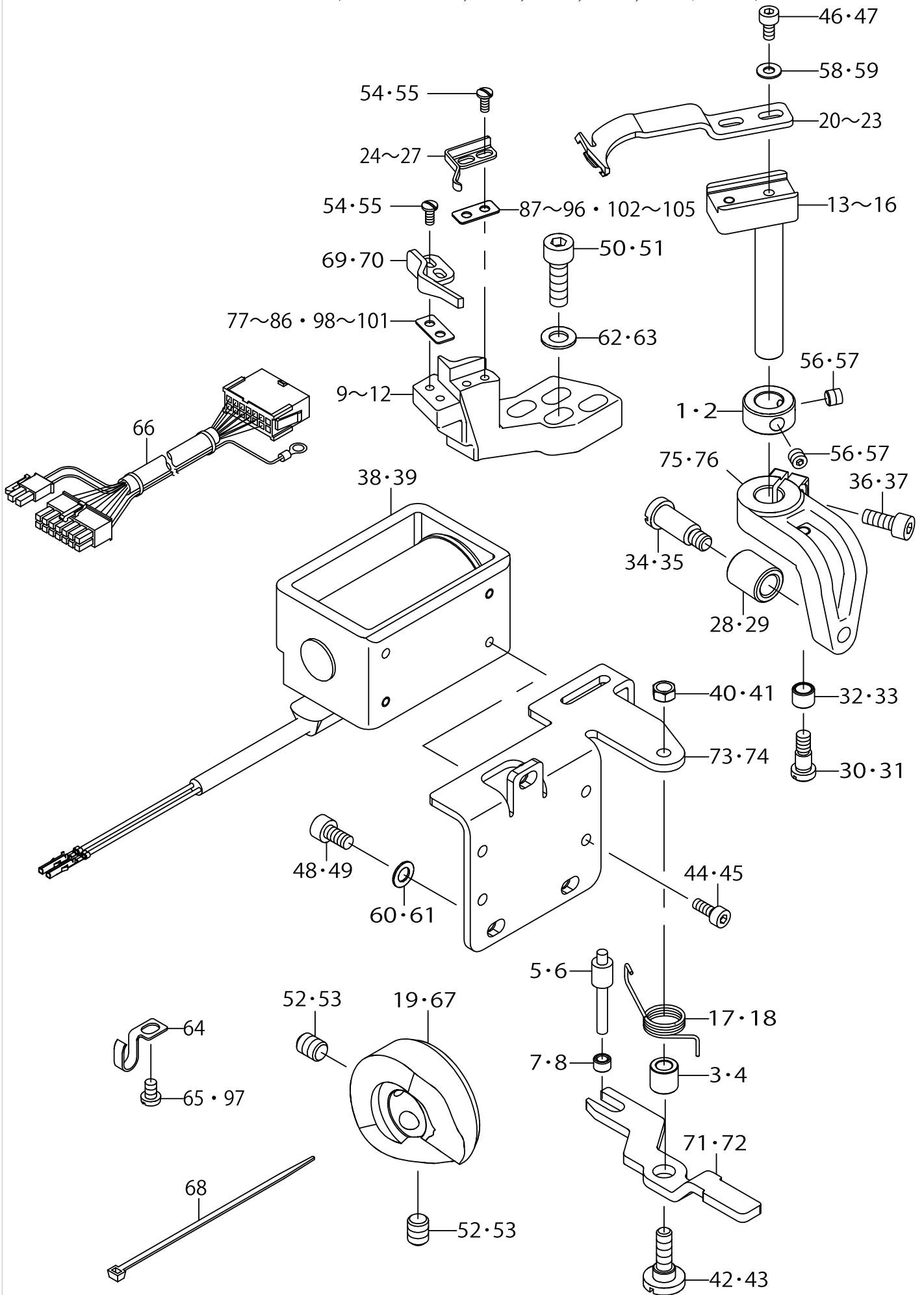
SPEED ADJUST COMPONENTS (FOR LU-2810-7,2860-7,2818-7,2868-7,2810-7/X73178)



SPEED ADJUST COMPONENTS (FOR LU-2810-7,2860-7,2818-7,2868-7,2810-7/X73178)

No.	C- ons	Le- vel	Parts No.	Replacement	Supply Code	Parts name	Qty	R- ep. Q- TY	Status	Spec	Remarks
1			40126260			VERTICAL_DETECTOR_SWI	1				
2		*	23638406	23638059		SAFETY SWITCH NUT	1	1.00			
3		*	SM4021601SN		Disconinue	SCREW M2 L=16	2				
4		*	40126259			SENSOR_BRACKET	1				
5		*	40126131	40126260		SPEED CONTROL CORD A	1	1.00			
6		*	E8760452D00			TUBE 0.015M	0.03				
7		*	HA004680000			SWITCH	2				
8		*	HW000840040			4-CORE CABTYRE CORD	1.37				
9		*	HK075230000			TERMINAL	3				
10		*	HK063610220			CONNECTOR	1				
11			SL4040691SC			SCREW M4 L=6	2				

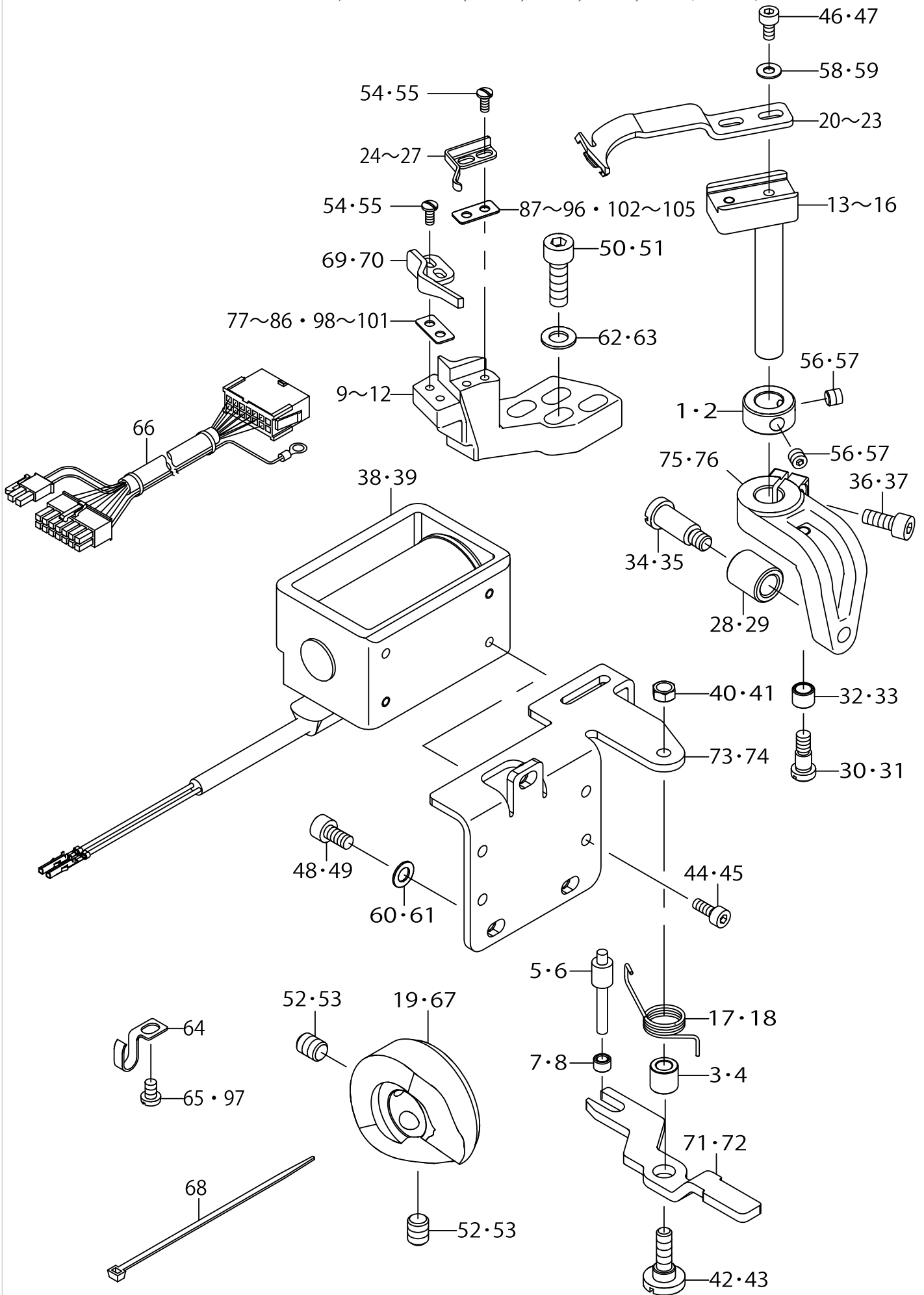
THREAD CUTTING COMPONENTS (FOR LU-2810-7,2860-7,2818-7,2868-7,2810-7/X73178)



THREAD CUTTING COMPONENTS (FOR LU-2810-7,2860-7,2818-7,2868-7,2810-7/X73178)

No.	C- ons	Le- vel	Parts No.	Replacement	Supply Code	Parts name	Qty	R- ep- Q- TY	Status	Spec	Remarks
1			22917009			THRUST COLLAR	1				FOR LU-2810-7
2			22917009			THRUST COLLAR	2				FOR LU-2860-7
3			22956205			WIPER HINGE SCREW COL	1				FOR LU-2810-7
4			22956205			WIPER HINGE SCREW COL	2				FOR LU-2860-7
5			22957104			WIPER SOLENOID SHAFT	1				FOR LU-2810-7
6			22957104			WIPER SOLENOID SHAFT	2				FOR LU-2860-7
7			22957203			WIPER LINK COLLAR	1				FOR LU-2810-7
8			22957203			WIPER LINK COLLAR	2				FOR LU-2860-7
9			40125879			FIXED_KNIFE_BASE	1				FOR LU-2810-7
10			40125879			FIXED_KNIFE_BASE	2				FOR LU-2860-7
11			40147942			FIXED_KNIFE_BASE_XXL	1				FOR LU-2818-7
12			40147942			FIXED_KNIFE_BASE_XXL	2				FOR LU-2868-7
13			40112230			MOVING_KNIFE_SHAFT	1				FOR LU-2810-7
14			40112230			MOVING_KNIFE_SHAFT	2				FOR LU-2860-7
15			40147941			MOVING_KNIFE_SHAFT_XX	1				FOR LU-2818-7
16			40147941			MOVING_KNIFE_SHAFT_XX	2				FOR LU-2868-7
17			40112235			DRIVING_ARM_RETURN_SPF	1				FOR LU-2810-7
18			40112235			DRIVING_ARM_RETURN_SPF	2				FOR LU-2860-7
19			40112278			THREAD_TRIMMER_CAM_R	1				
20	☆		40132434			MOVING_KNIFE	1				FOR LU-2810-7
21	☆		40132434			MOVING_KNIFE	2				FOR LU-2860-7
22	☆		40147940			MOVING_KNIFE_XXL	1				FOR LU-2818-7
23	☆		40147940			MOVING_KNIFE_XXL	2				FOR LU-2868-7
24	☆		21389408			CLAMP SPRING	1				FOR LU-2810-7
25	☆		21389408			CLAMP SPRING	2				FOR LU-2860-7
26	☆		40147943			CLAMP_SPRING_XXL	1				FOR LU-2818-7
27	☆		40147943			CLAMP_SPRING_XXL	2				FOR LU-2868-7
28			40112232			THREAD_TRIMMER_CAM_R	1				FOR LU-2810-7
29			40112232			THREAD_TRIMMER_CAM_R	2				FOR LU-2860-7
30			SD0460576TP			SHOULDER SCREW D=4.6 H	1				FOR LU-2810-7
31			SD0460576TP			SHOULDER SCREW D=4.6 H	2				FOR LU-2860-7
32			B2508047000			BLOCK ROLLER	1				FOR LU-2810-7
33			B2508047000			BLOCK ROLLER	2				FOR LU-2860-7
34			SD0651301TH			HINGE SCREW D=6.5 H=13	1				FOR LU-2810-7
35			SD0651301TH			HINGE SCREW D=6.5 H=13	2				FOR LU-2860-7
36			SM6041002TP			SCREW M4 L=10	1				FOR LU-2810-7
37			SM6041002TP			SCREW M4 L=10	2				FOR LU-2860-7
38			40112251	40137921		THREAD_TRIMMER_SOLENO	1	1.00			FOR LU-2810-7
39			40137921			THREAD_TRIMMER_SOLENO	2				FOR LU-2860-7
40			NS6110310SP			NUT 11/64-40	1				FOR LU-2810-7
41			NS6110310SP			NUT 11/64-40	2				FOR LU-2860-7
42			SD0650321TP			HINGE SCREW D=6.5 H=3.2	1				FOR LU-2810-7
43			SD0650321TP			HINGE SCREW D=6.5 H=3.2	2				FOR LU-2860-7
44			SM6030602TP			SCREW M3X0.5 L=6	4				FOR LU-2810-7
45			SM6030602TP			SCREW M3X0.5 L=6	8				FOR LU-2860-7
46			SM6030602TP			SCREW M3X0.5 L=6	2				FOR LU-2810-7
47			SM6030602TP			SCREW M3X0.5 L=6	4				FOR LU-2860-7
48			SM6040802TP			SCREW M4X0.7 L=8	3				FOR LU-2810-7
49			SM6040802TP			SCREW M4X0.7 L=8	6				FOR LU-2860-7
50			SM6051602TP			SCREW M5X0.8 L=16	2				FOR LU-2810-7
51			SM6051602TP			SCREW M5X0.8 L=16	4				FOR LU-2860-7
52			SM8060812TP			SCREW M6 L=8	2				FOR LU-2810-7
53			SM8060812TP			SCREW M6 L=8	4				FOR LU-2860-7
54	☆		SS7060610SP			SCREW 3/32-56 L=5.5	4				FOR LU-2810-7
55	☆		SS7060610SP			SCREW 3/32-56 L=5.5	8				FOR LU-2860-7
56			SS8110422TP			SCREW 11/64-40 L=4	2				FOR LU-2810-7
57			SS8110422TP			SCREW 11/64-40 L=4	4				FOR LU-2860-7
58			WP0320501SC			WASHER M3	2				FOR LU-2810-7
59			WP0320501SC			WASHER M3	4				FOR LU-2860-7
60			WP0450000SD			WASHER 4.5X8X0.5	3				FOR LU-2810-7

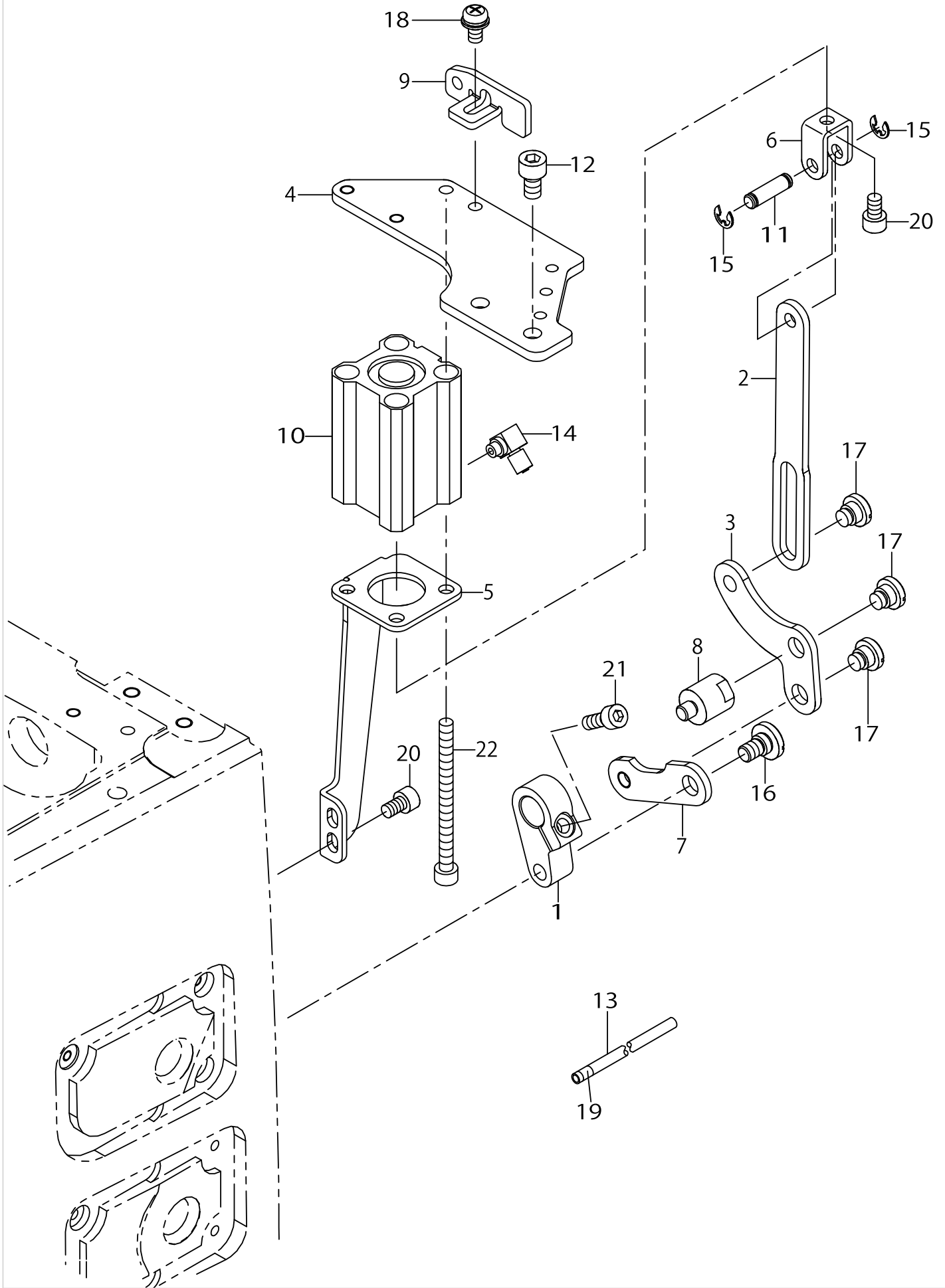
THREAD CUTTING COMPONENTS (FOR LU-2810-7,2860-7,2818-7,2868-7,2810-7/X73178)



THREAD CUTTING COMPONENTS (FOR LU-2810-7,2860-7,2818-7,2868-7,2810-7/X73178)

No.	C- ons	Le- vel	Parts No.	Replacement	Supply Code	Parts name	Qty	R- ep- Q- TY	Status	Spec	Remarks
61			WP045000SD			WASHER 4.5X8X0.5	6				FOR LU-2860-7
62			WP0550800SP			WASHER 5.5X10X0.8	2				FOR LU-2810-7
63			WP0550800SP			WASHER 5.5X10X0.8	4				FOR LU-2860-7
64			26231902			OIL WICK PIPE STOPPER	1				
65			SM4040655SP			SCREW M4 L=6	1				FOR LU-2810-7
66			40126130			SOLENOID RELAY CABLE	1				
67			40126546			THREAD_TRIMMER_CAM_LI	1				FOR LU-2860-7
68			EA9500B0100			CABLE BAND	1				
69	☆		21389309			FIXED KNIFE	1				FOR LU-2810-7
70	☆		21389309			FIXED KNIFE	2				FOR LU-2860-7
71			40112234			KNIFE_DRIVING_ARM_LINK	1				FOR LU-2810-7
72			40112234			KNIFE_DRIVING_ARM_LINK	2				FOR LU-2860-7
73			40112233			THREAD_TRIMMER_SOL_BA	1				FOR LU-2810-7
74			40112233			THREAD_TRIMMER_SOL_BA	2				FOR LU-2860-7
75			40123248			MOVING_KNIFE_DRIVING_A	1				FOR LU-2810-7
76			40123248			MOVING_KNIFE_DRIVING_A	2				FOR LU-2860-7
77			40155295			F_KNIFE_SPACER_T=0.2	1				FOR LU-2818-7
78			40155296			F_KNIFE_SPACER_T=0.4	1				FOR LU-2818-7
79			40155297			F_KNIFE_SPACER_T=0.6	1				FOR LU-2818-7
80			40155298			F_KNIFE_SPACER_T=0.8	1				FOR LU-2818-7
81			40155299			F_KNIFE_SPACER_T=1.0	1				FOR LU-2818-7
82			40155295			F_KNIFE_SPACER_T=0.2	2				FOR LU-2868-7
83			40155296			F_KNIFE_SPACER_T=0.4	2				FOR LU-2868-7
84			40155297			F_KNIFE_SPACER_T=0.6	2				FOR LU-2868-7
85			40155298			F_KNIFE_SPACER_T=0.8	2				FOR LU-2868-7
86			40155299			F_KNIFE_SPACER_T=1.0	2				FOR LU-2868-7
87			40155301			CLAMP_SPRING_SPACER_T=	1				FOR LU-2818-7
88			40155302			CLAMP_SPRING_SPACER_T=	1				FOR LU-2818-7
89			40155303			CLAMP_SPRING_SPACER_T=	1				FOR LU-2818-7
90			40155304			CLAMP_SPRING_SPACER_T=	1				FOR LU-2818-7
91			40155305			CLAMP_SPRING_SPACER_T=	1				FOR LU-2818-7
92			40155301			CLAMP_SPRING_SPACER_T=	2				FOR LU-2868-7
93			40155302			CLAMP_SPRING_SPACER_T=	2				FOR LU-2868-7
94			40155303			CLAMP_SPRING_SPACER_T=	2				FOR LU-2868-7
95			40155304			CLAMP_SPRING_SPACER_T=	2				FOR LU-2868-7
96			40155305			CLAMP_SPRING_SPACER_T=	2				FOR LU-2868-7
97			SM4040855SP			SCREW	1				FOR LU-2818-7
98			40157628			F_KNIFE_SPACER	1				FOR LU-2818-7
99			40157629			F_KNIFE_SPACER	1				FOR LU-2818-7
100			40157628			F_KNIFE_SPACER	2				FOR LU-2868-7
101			40157629			F_KNIFE_SPACER	2				FOR LU-2868-7
102			40157625			CLAMP_SPRING_SPACER	1				FOR LU-2818-7
103			40157626			CLAMP_SPRING_SPACER	1				FOR LU-2818-7
104			40157625			CLAMP_SPRING_SPACER	2				FOR LU-2868-7
105			40157626			CLAMP_SPRING_SPACER	2				FOR LU-2868-7

CONDENSE COMPONENTS (FOR LU-2818-7,2868-7)

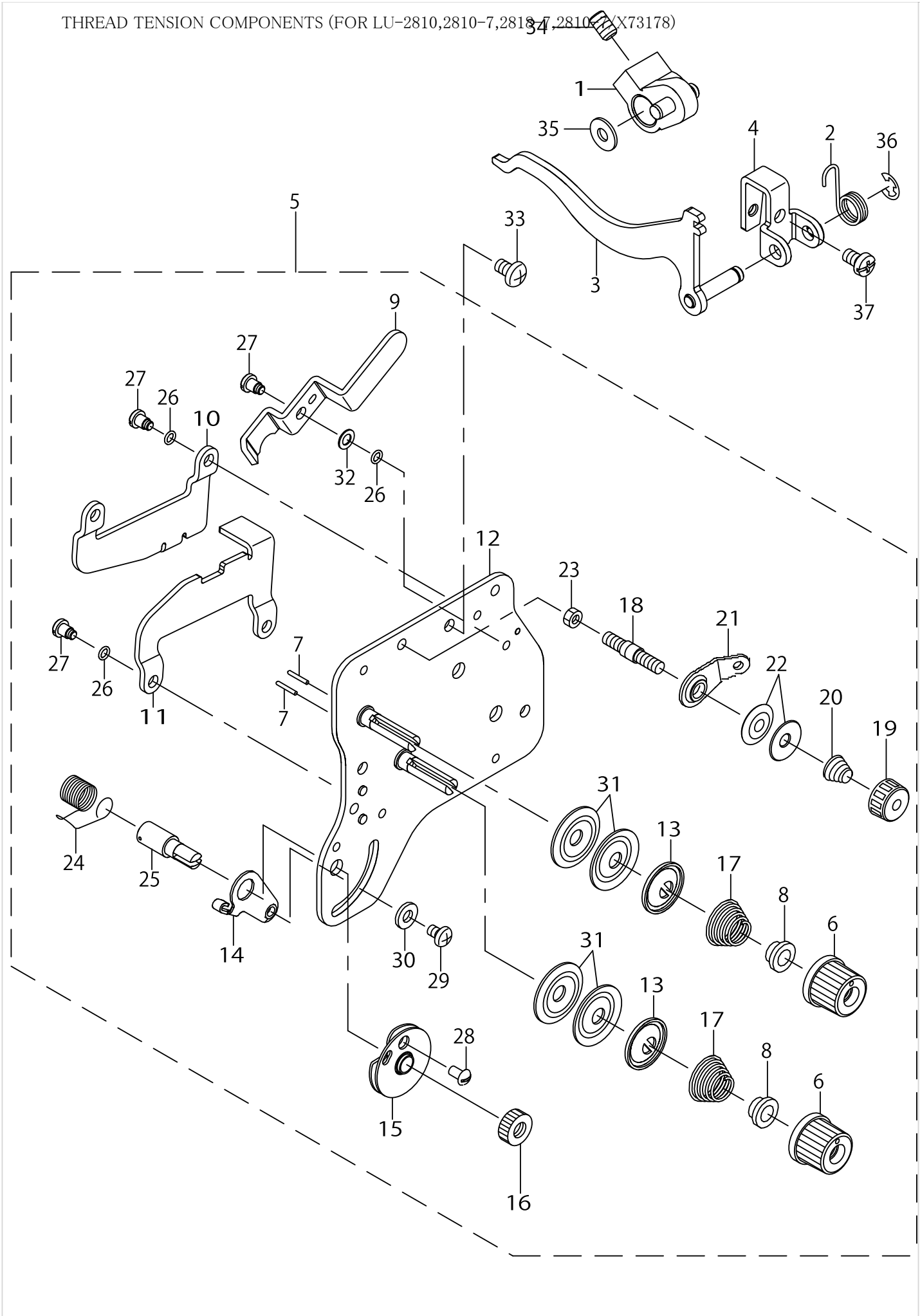


CONDENSE COMPONENTS (FOR LU-2818-7,2868-7)

No.	C- ons	Le- vel	Parts No.	Replacement	Supply Code	Parts name	Qty	R- ep. Q- TY	Status	Spec	Remarks
1			40133612			CONDENSE ARM	1				
2			40112137			LINK_A	1				
3			40112138			LINK_B	1				
4			40125872			CYLINDER_BRACKET	1				
5			40112140			CYLINDER_STAY	1				
6			40112149			CYLINDER_KNUCKLE	1				
7			40133655			LINK D	1				
8			40112151			BT_LINK_STUD	1				
9			40112228			MOTOR_COVER_FITTING_P	1				
10			40142208			AIR CYLINDER	1				
11			D2464555B00			LINK DRIVING MAGNET PI	1				
12			SM6061002TP			SCREW M6 L=10	2				
13			BT0400251EB			URETHANE HOSE BLACK	.27				
14			PJ046052503			HOSE ELBOW	1				
15			RE0400000K0			E-RING 4	2				
16			SD0800321TH			HINGE SCREW D=8 H=3.2	1				
17			SD0800341SP			HINGE SCREW D=8 H=3.4	3				
18			SL4051091SC			SCREW M5X0.8 L=10	1				
19			18035709			WIRE MARK (8)	1				
20			SM6050802TP			SCREW M5X0.8 L=8	3				
21			SM6051402TP			SCREW M5X0.8 L=14	1				
22			SM6056552TP			SCREW	3				



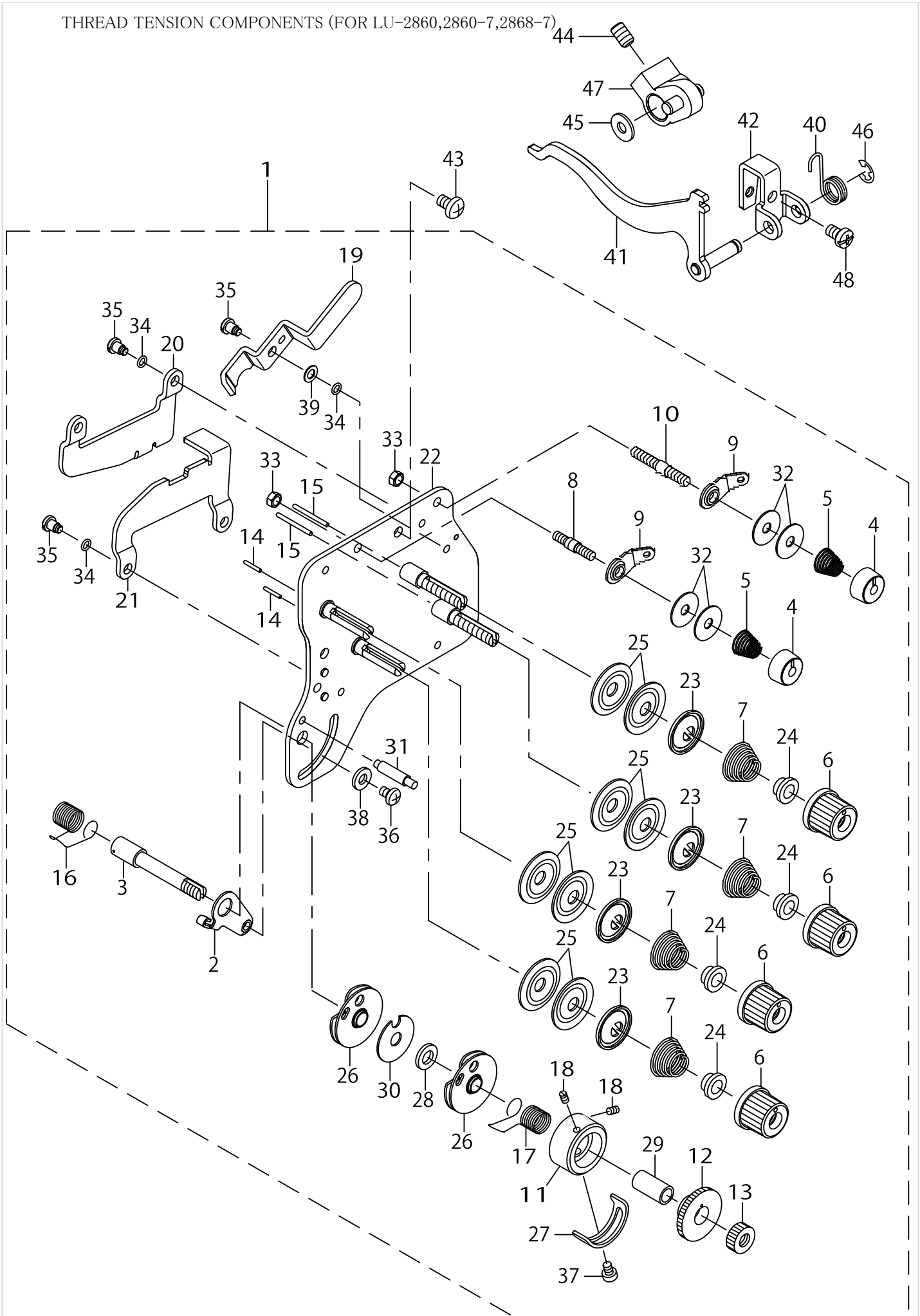
THREAD TENSION COMPONENTS (FOR LU-2810,2810-7,2810-8,2810-9,X73178)



THREAD TENSION COMPONENTS (FOR LU-2810,2810-7,2818-7,2810-7/X73178)

No.	C- ons	Le- vel	Parts No.	Replacement	Supply Code	Parts name	Qty	R- ep- Q- TY	Status	Spec	Remarks
1			22912257			FEED REVERSE ARM ASM.	1				
2			22954309			REVERSE FEED SWITCH SF	1				
3			40126265			DISK_RELEASE_LINK_ASM.	1				
4			40125873			DISK_RELEASE_LINK_BASE	1				
5			40126373			THREAD_TENSION_ASM_28	1				
6	☆	*	13817408			THREAD TENSION NUT	2				
7		*	22618201			TENSION RELEASE PIN A	2				
8		*	B3112704000			TENSION SPRING BUSHING	2				
9		*	40112204		Disconinue	TENSION_RELEASE_LEVER	1				
10		*	40112218			DISK_RELEASE_PLATE_A	1				
11		*	40112219			DISK_RELEASE_PLATE_B	1				
12		*	40126404			ASSY_TENSION_BASE_PLAT	1				
13		*	40126724			TENSION_DISC_HOLDER	2				
14		*	10697506			THREAD TENSION BRACKI	1				
15		*	B31375270A0			TAKE-UP SPRING GUIDE A	1				
16		*	22617807	22928808		NUT	1	1.00			
17	☆	*	12938304			TENSION SPRING	2				
18		*	22528806			PRE_TENSION_POST	1				
19		*	22945703			THREAD TENSION NUT	1				
20	☆	*	22963409	22963458		THREAD TENSION SPRING	1	1.00			
21		*	22529408		Disconinue	BOBBIN THREAD GUIDE	1				
22		*	22945802			THREAD TENSION DISK	1				
23		*	NS6110310SP			NUT 11/64-40	1				
24	☆	*	22618706			THREAD TAKE-UP SPRING	1				
25		*	10320109			SCREW STUD	1				
26		*	RO037180100			RUBBER RING	5				
27		*	SD0450401SP			HINGE SCREW D=4.5 H=4	5				
28		*	SS3090710TP			SCREW 9/64-40 L=7	1				
29		*	SS4110615SP			SCREW 11/64-40 L=6	1				
30		*	WP0501016SD			WASHER 5X10.5X1	1				
31		*	22921506			THREAD TENSION DISK	4				
32		*	WP0460556SD			WASHER 4.6X7.5X0.5	1				
33			SM4051001SN			SCREW M5	3				
34			SS8661012TP			SCREW	1				
35			22528509			FELT	1				
36			RE0500000K0			E-RING	1				
37			SM4050855SP			SCREW	1				

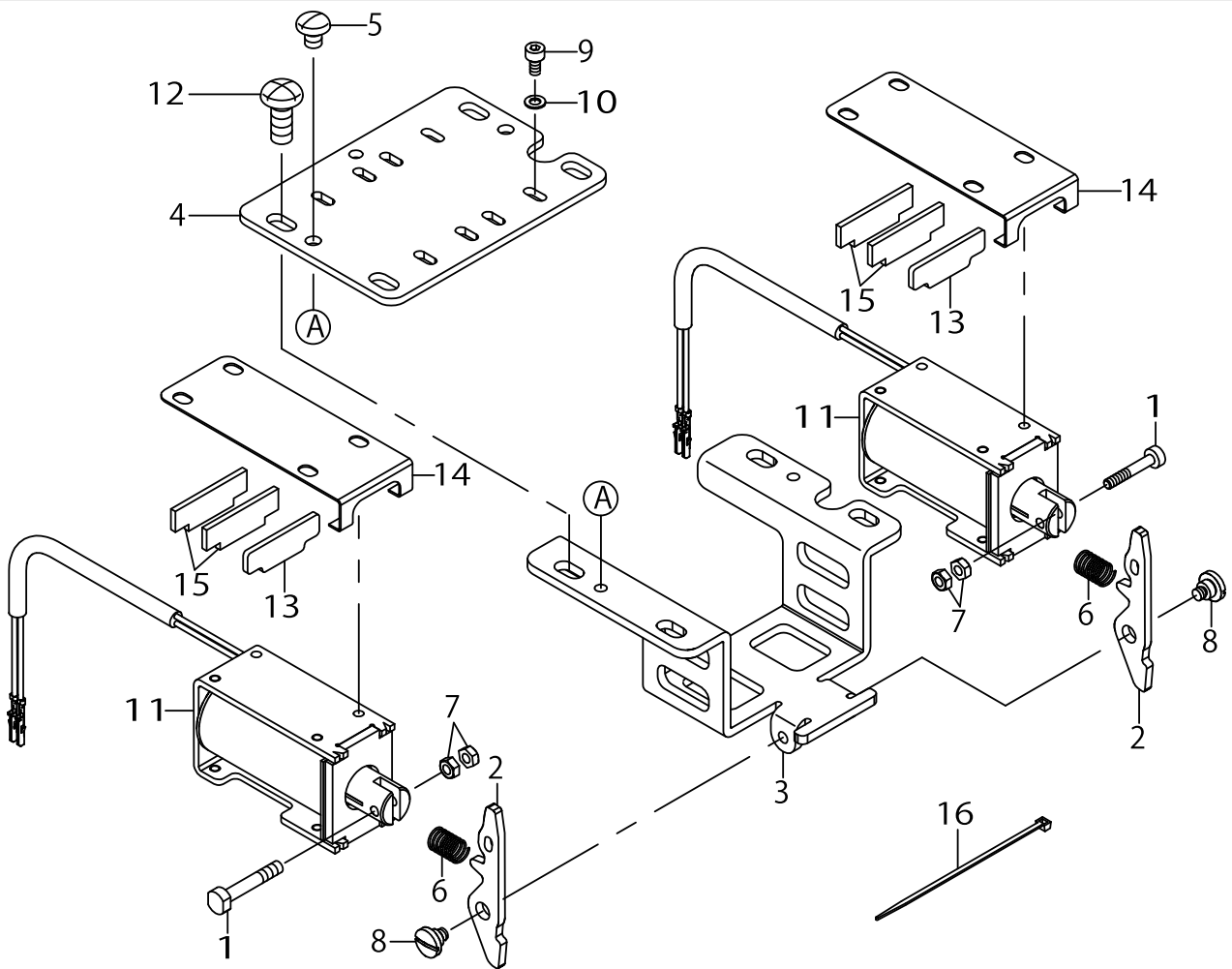
THREAD TENSION COMPONENTS (FOR LU-2860,2860-7,2868-7)



THREAD TENSION COMPONENTS (FOR LU-2860,2860-7,2868-7)

No.	C- ons	Le- vel	Parts No.	Replacement	Supply Code	Parts name	Qty	R- ep- Q- TY	Status	Spec	Remarks
1			40126556			THREAD_TENSION_ASM_28	1				
2		*	10697506			THREAD TENSION BRACKI	1				
3		*	10697605			THREAD TAKE-UP SPRING	1				
4		*	11072402			THREAD TENSION NUT	2				
5	☆	*	11093606			THREAD TENSION SPRING	2				
6	☆	*	13817408			THREAD TENSION NUT	4				
7	☆	*	12938304			TENSION SPRING	4				
8		*	22528806			THREAD TENSION POST	1				
9		*	22529408		Disconinue	BOBBIN THREAD GUIDE	2				
10		*	22529515	22529473		BOBBIN THREAD TENSION	1	1.00			
11		*	22617609			THREAD TENSION POST	1				
12		*	22617708			TAKE-UP SPRING GUIDE	1				
13		*	22617807	22928808		NUT	1	1.00			
14		*	22618201			TENSION RELEASE PIN A	2				
15		*	22618300			TENSION RELEASE PIN B	2				
16	☆	*	22618706			THREAD TAKE-UP SPRING	1				
17	☆	*	22618805			THREAD TAKE-UP SPRING	1				
18		*	22618904	SM8030500SP		SET SCREW	2	1.00			
19		*	40112204		Disconinue	TENSION_RELEASE_LEVER	1				
20		*	40112218			DISK_RELEASE_PLATE_A	1				
21		*	40112219			DISK_RELEASE_PLATE_B	1				
22		*	40126557			ASSY_TENSION_BASE_PLAT	1				
23		*	40126724			TENSION_DISC_HOLDER	4				
24		*	B3112704000			TENSION SPRING BUSHING	4				
25		*	22921506			THREED TENSION DISK	8				
26		*	B31375270A0			TAKE-UP SPRING GUIDE A	2				
27		*	B3138527000			ADJUSTING PLATE B	1				
28		*	B3139527000			COLLAR	1				
29		*	B3141527000			PRESSER COLLAR	1				
30		*	B3142527000			TAKE-UP SPRING GUIDE P	1				
31		*	B3143527000			TAKE-UP SPRING GUIDE S	1				
32		*	B3214047000	22945802		BOBBIN WINDER TENSION	4	1.00			
33		*	NS6110310SP			NUT 11/64-40	2				
34		*	RO037180100			RUBBER RING	5				
35		*	SD0450401SP			HINGE SCREW D=4.5 H=4	5				
36		*	SS4110615SP			SCREW 11/64-40 L=6	1				
37		*	SS7090510SP			SCREW 9/64-40 L=4.6	1				
38		*	WP0501016SD			WASHER 5X10.5X1	1				
39		*	WP0460556SD			WASHER 4.6X7.5X0.5	1				
40			22954309			REVERSE FEED SWITCH SF	1				
41			40126265			DISK_RELEASE_LINK_ASM.	1				
42			40125873			DISK_RELEASE_LINK_BASE	1				
43			SM4051001SN			SCREW M5	3				
44			SS8661012TP			SCREW	1				
45			22528509			FELT	1				
46			RE0500000K0			E-RING	1				
47			22912257			FEED REVERSE ARM ASM.	1				
48			SM4050855SP			SCREW	1				

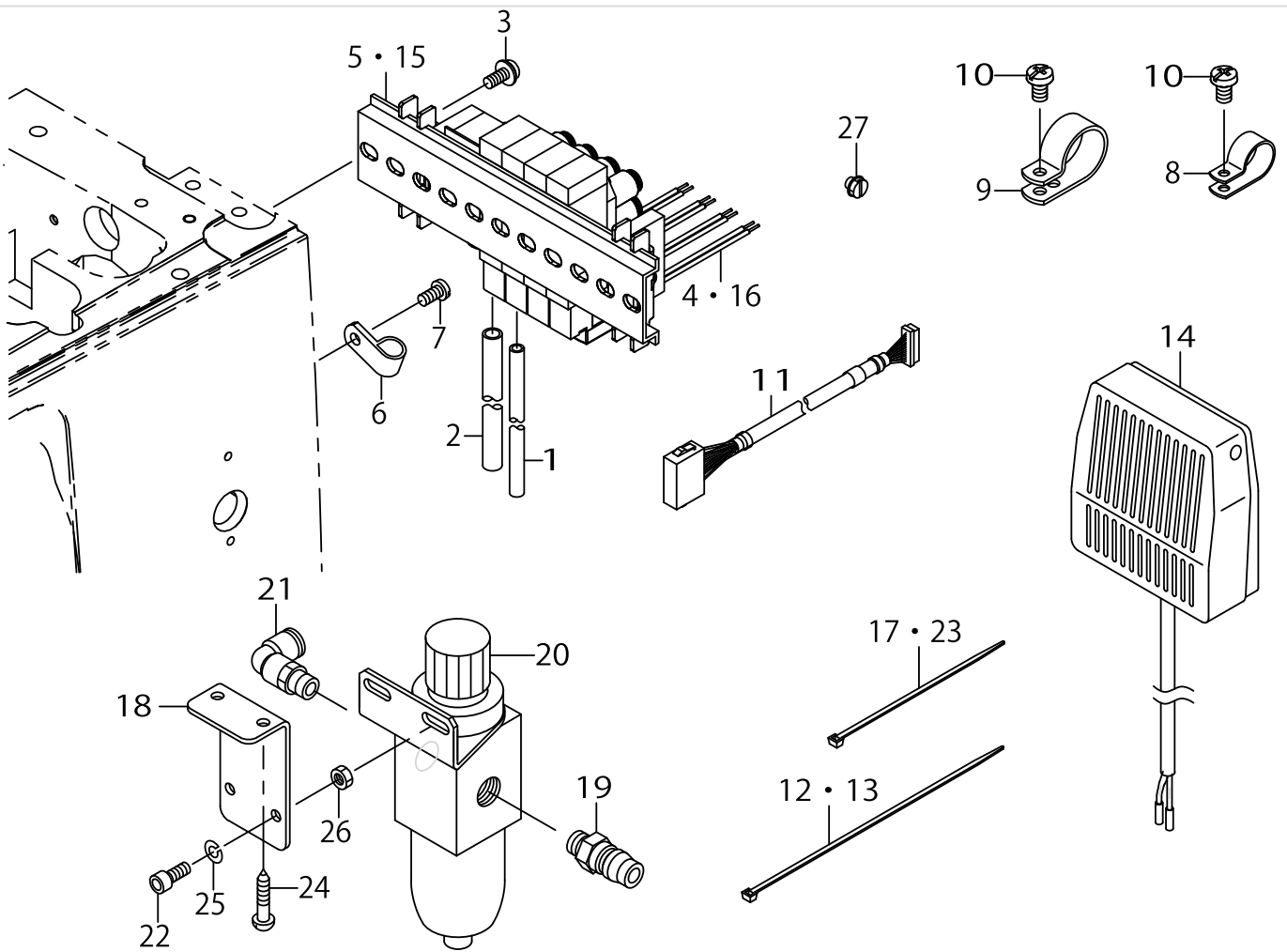
TENSION RELEASE COMPONENTS (FOR LU-2810-7,2860-7,2818-7,2868-7,2810-7/X73178)



TENSION RELEASE COMPONENTS (FOR LU-2810-7,2860-7,2818-7,2868-7,2810-7/X73178)

No.	C- ons	Le- vel	Parts No.	Replacement	Supply Code	Parts name	Qty	R- ep. Q- TY	Status	Spec	Remarks
1			40139345			PLUNGER_LINK_PIN	2				
2			40125948			RELEASE_SOLENOID_LINK	2				
3			40126263			SOLENOID_LINK_MOUNTIN	1				
4			40125949			RELEASE_SOLENOID_BASE	1				
5			SS4090515SP			SCREW 9/64-40 L=5	2				
6			32055501			AT (UPPER) SPRING	2				
7			NM6030001SC			NUT M3X0.5 TYPE1	4				
8			SD0550271TP			HINGE SCREW D=5.50 H=2.	2				
9			SM6030602TP			SCREW M3X0.5 L=6	8				
10			WP0320501SE	WP0320501SC		WASHER 3.2X7.0X0.5	8	1.00			
11			40112285			TENSION_RELEASE_SOLEN	2				
12			SM4051255SP			SCREW M5 L=12	4				
13			40126563			STOPPER_PLATE	2				
14			40126562			RUBBER HOLDER	2				
15			40086679			WIPER_STOPPER_RUBBER	4				
16			EA9500B0100			CABLE BAND	1				

PNEUMATIC COMPONENTS (FOR LU-2810-7,2860-7,2818-7,2868-7,2810-7/X73178)

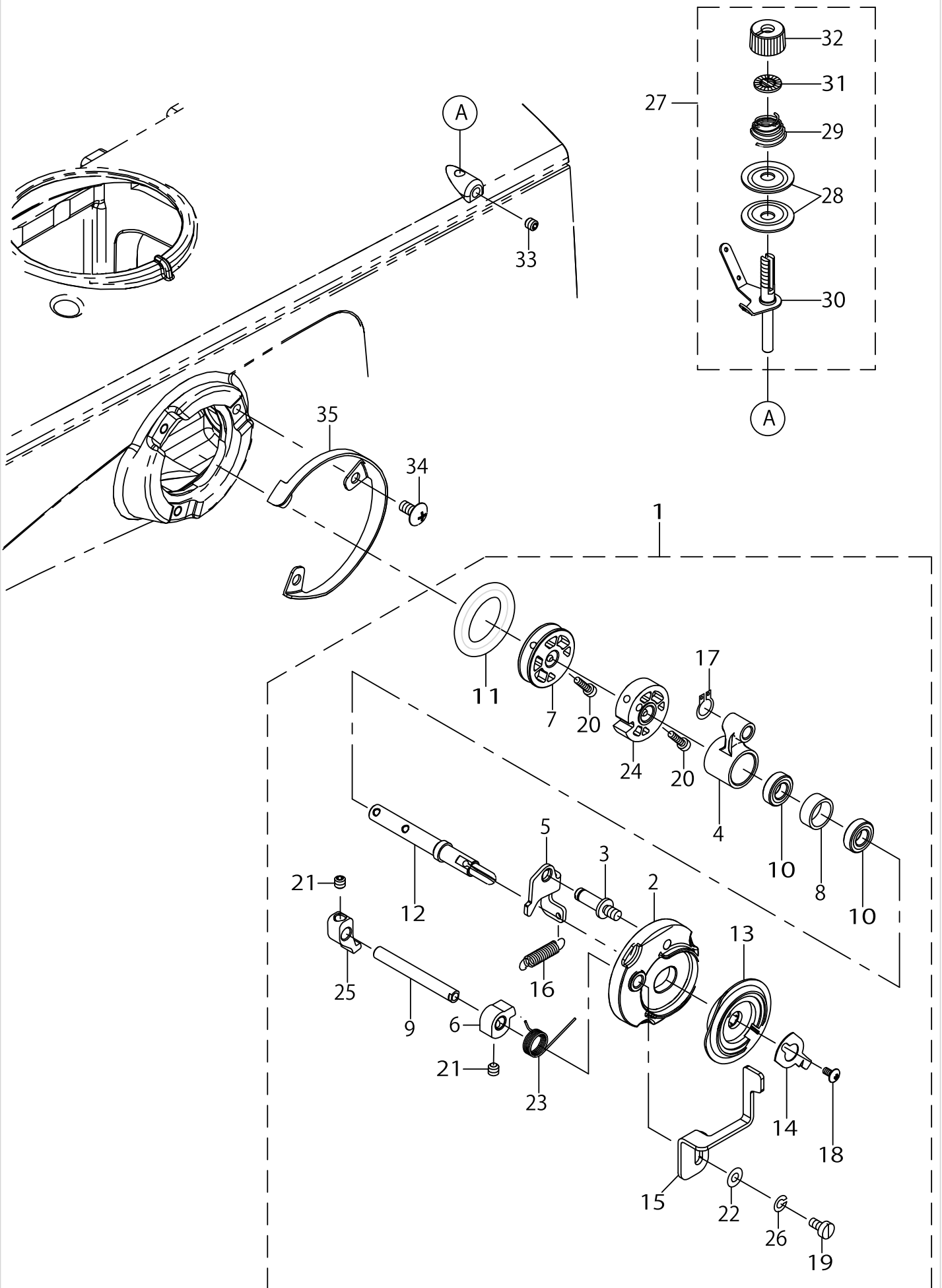


PNEUMATIC COMPONENTS (FOR LU-2810-7,2860-7,2818-7,2868-7,2810-7/X73178)

No.	C- ons	Le- vel	Parts No.	Replacement	Supply Code	Parts name	Qty	R- ep- Q- TY	Status	Spec	Remarks
1			BT0600401EB			TUBE	1.1				
2			BT0800501EB			VINYL TUBE	1.1				
3			SL4041091SC			SCREW M4 L=10	2				
4			40126128			SOLENOID VALVE CABLE	1				FOR LU-2810-7
5			40126545			SOLENOID VALVE ASSY	1				FOR LU-2810-7
6			HX00150000C			CABLE CLIP	1				
7			SM4040855SP			SCREW	1				
8			HX00150000H			CABLE CLIP	1				
9			HX00150000M			CABLE CLIP	1				
10			SM4040855SP			SCREW	2				
11			40126127			AIR VALVE RELAY CABLE	1				
12			EA9500B0200			CABLE BAND 150	2				FOR LU-2810-7
13			EA9500B0200			CABLE BAND 150	4				FOR LU-2818-7
14			40143553			KNEE_SWITCH_ASM.	1				
15			40130283			SOLENOID VALVE ASM	1				FOR LU-2818-7
16			40130284			SOLENOID VALVE CABLE	1				FOR LU-2818-7
17			EA9500B0100			CABLE BAND	1				FOR LU-2818-7
18			13860408			REGULATOR BRACKET	1				
19			PJ025100003			PLUG	1				
20			PF055107000			FILTER REGULATOR	1				
21			PJ304065101			ELBOW UNION 6XPT1/8	1				
22			SM6051202TP			SCREW M5X0.8 L=12	2				
23			EA9500B0100			CABLE BAND	1				FOR LU-2810-7
24			SK3482001SE			WOOD SCREW D=4.8 L=20	2				
25			WS0510002KN			SPRING WASHER M5	2				
26			NM6050001SP			NUT M5	2				
27			PJ020500002			PLUG	1				FOR LU-2810-7



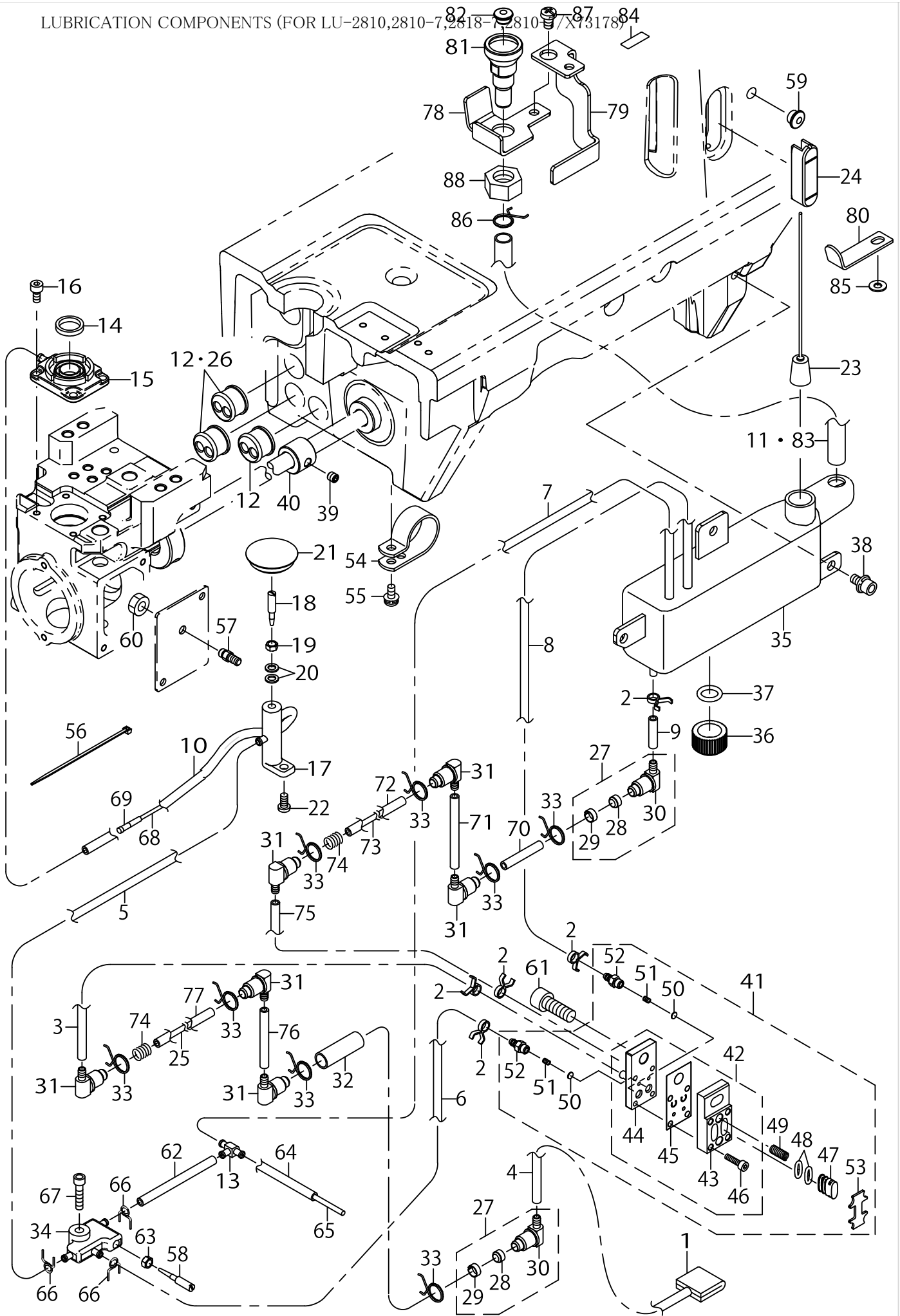
BOBBIN WINDER COMPONENTS



BOBBIN WINDER COMPONENTS

No.	C- ons	Le- vel	Parts No.	Replacement	Supply Code	Parts name	Qty	R- ep. Q- TY	Status	Spec	Remarks
1			40126355			BOBBIN_WINDER_UNIT	1				
2		*	26260109	26260000		BTW_BASE	1	1.00			
3		*	26260307			BTW_BASE_SHAFT	1				
4		*	26260406			BTW_SHAFT_BASE	1				
5		*	40126594			BTW_CAM_PLATE	1				
6		*	26260505			BTW_CAM_LEVER	1				
7		*	40125851			WINDER_WHEEL	1				
8		*	26260802	26260000		BTW_BEARING_SPACER	1	1.00			
9		*	26261008			BTW_LEVER_SHAFT	1				
10		*	40126354			WINDER_BEARING	1				
11	☆	*	26261503			BTW_WHEEL_RUBBER	1				
12		*	40126550			BOBBIN_SHAFT	1				
13		*	40125927			BOBBIN_BASE	1				
14		*	40126311			WINDER_CUTTER	1				
15		*	40151791			BOBBIN_LEVER	1				
16		*	13718507			SPRING	1				
17		*	RC0560711KP			RETAINING RING	1				
18		*	SM0030601SC			SCREW M3X0.5 L=6	1				
19		*	SM6040860TP			SCREW M4 L=8	1				
20		*	SM6031202TP			SCREW M3X0.5 L=12	1				
21		*	SM8050502TP			SCREW M5 L=5	2				
22		*	WP0450801SP			WASHER	1				
23		*	40126549			HELICAL_TORSION_COIL_S	1				
24		*	40125928			WINDER_LATCH_CAM	1				
25		*	40125844			WINDER_LATCH_B	1				
26		*	WS0451040KP			SPRING WASHER 4.5X8.5X1	1				
27		*	40088958			BOBBIN_THREAD_TENSION	1				
28		*	22921506			THREAD_TENSION_DISK	1				
29	☆	*	22921704			THREAD_TENSION_SPRING	1				
30		*	40088959			BOBBIN_THREAD_TENSION	1				
31		*	22921407			ROTATION_STOPPER	1				
32		*	22921308			THREAD_TENSION_NUT	1				
33		*	SM8051002TP			SCREW M5 L=10	1				
34		*	SM0051001SC			SCREW	3				
35		*	40152022			BTW_GUARD	1				

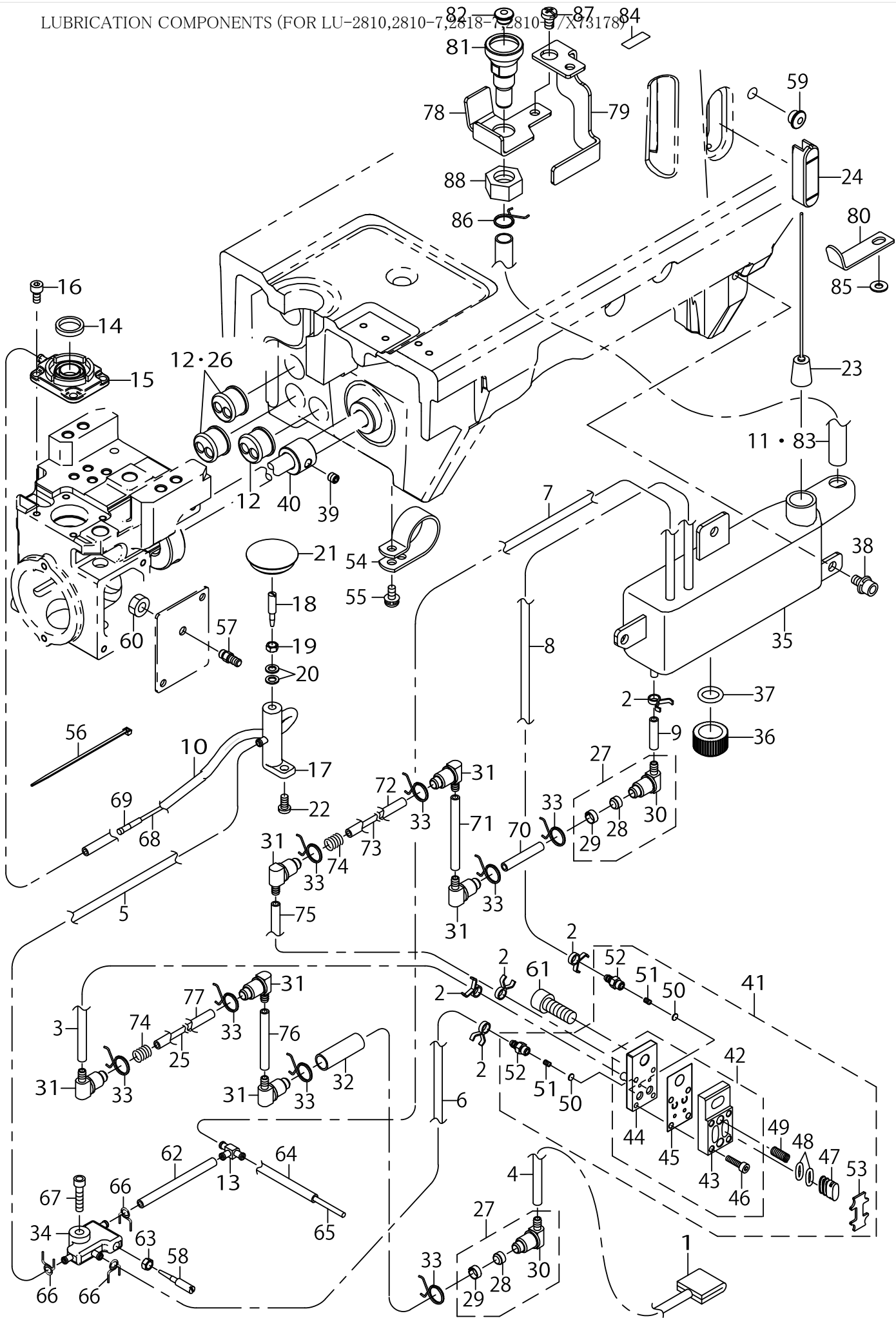
LUBRICATION COMPONENTS (FOR LU-2810,2810-7,2818-7,2810-7/X73178)



LUBRICATION COMPONENTS (FOR LU-2810,2810-7,2818-7,2810-7/X73178)

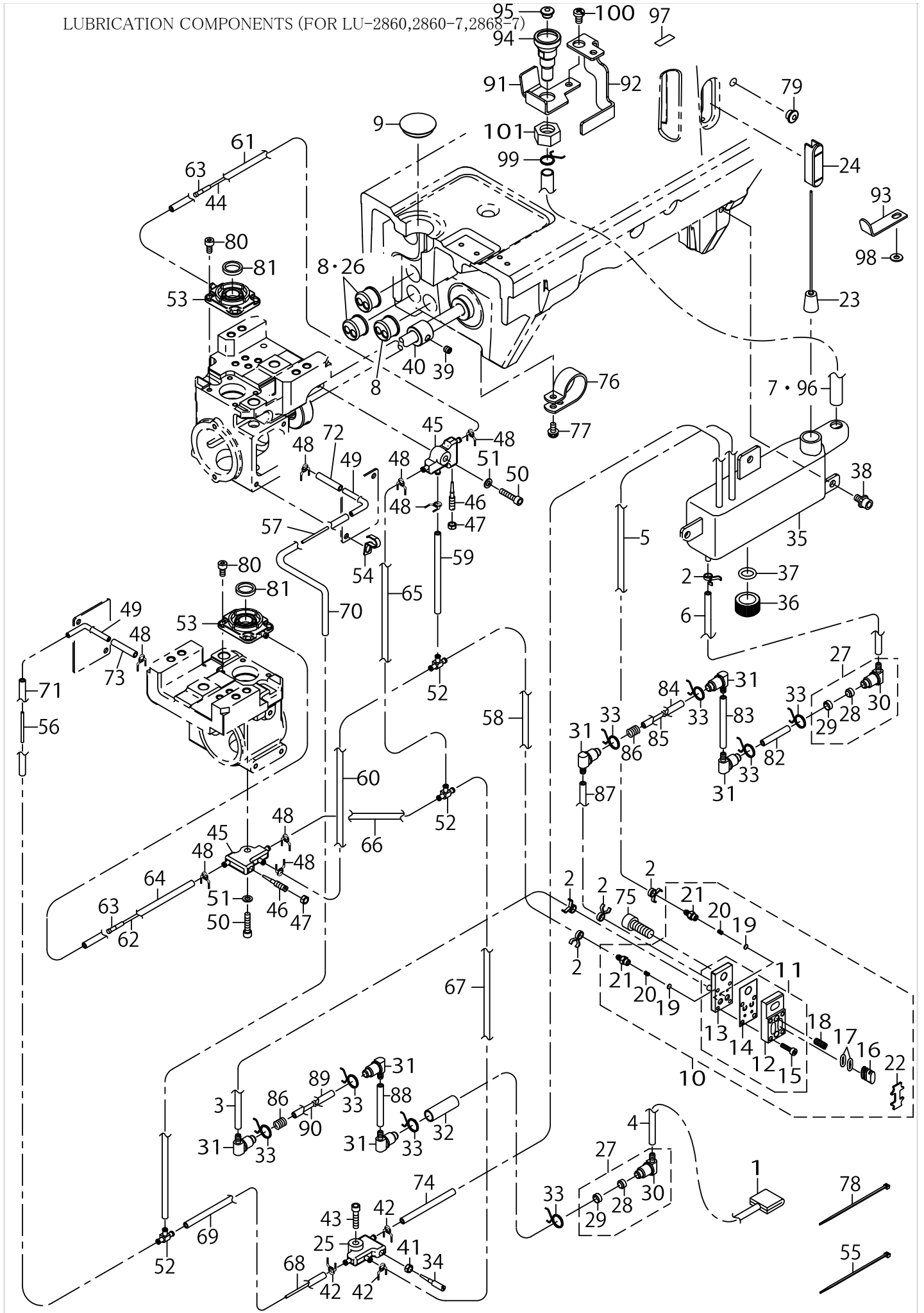
No.	C- ons	Le- vel	Parts No.	Replacement	Supply Code	Parts name	Qty	R- ep. Q- TY	Status	Spec	Remarks
1			40112320			FELT	1				
2			13142609			OIL TUBE HOLDER	5				
3			23630007			TUBE	.1				
4			23630007			TUBE	.4				
5			23630007			TUBE	.12				
6			23630007			TUBE	.08				
7			23630007			TUBE	.31				
8			23630007			TUBE	.4				
9			23630007			TUBE	.02				
10			23630007			TUBE	.22				
11			23630106			TUBE_B	.32				
12			22935308	11100104		MAGNET_CORD_RUBBER	2	1.00			FOR LU-2810,28
13			13765607			OIL_CONNEC_ARM	1				
14			40112318			OIL_SUPPLY_FELT	1				
15			40112246			OIL_SUPPLY	1				
16			SM6040802TP			SCREW_M4X0.7_L=8	4				
17			40069741			OIL_REGULATING_VALVE	1				
18			B1843563000			OIL_ADJUSTING_SCREW	1				
19			NS6110310SP			NUT_11/64-40_	1				
20			WP0450846SP			WASHER	2				
21			40028294			FEED_ADJUSTING_CAP	1				
22			SM4040855SP			SCREW	1				
23			23628357			FLOATERASM.	1				
24			40036167			OIL_GAGE	1				
25			CQ303000000			OIL WICK	.26				
26			22935308	11100104		MAGNETCORDRUBBER	3	1.00			FOR LU-2810-7
27			23630650			OIL_FILTER_JOINT_ASM.	2				
28	☆	*	23630403	23630650		OIL_FILTER_STOPPER	1	1.00			
29		*	23630502	23630650		OIL_FILTER	1	1.00			
30		*	23630601			OIL_FILTER_JOINT	1				
31			23630601			OIL_FILTER_JOINT	6				
32			23630106			TUBE_B	.03				
33			23629405			PIPE STOPPER B	8				
34			40032804			BASE	1				
35			40125929			OIL_TANK	1				
36			40013595			OIL_EXIT_CAP	1				
37			RO098240100			RUBBER_RING	1				
38			SL6051092TN			BOLT	3				
39			SM8050512TP			SCREW	1				
40			40101721			ECCENTRIC_CAM	1				
41			40101719			PUMP_BASE_ASSY	1				
42		*	40102249	40101719		PUMP_BASE_ASM.	1	1.00			
43		*	40101715	40101719		PUMP_BASE_TOP	1	1.00			
44		*	40101716	40101719		PUMP_BASE_BOTTOM	1	1.00			
45		*	40101717			GASKET_SHEET	1				
46		*	SM6031202TP			SCREW_M3X0.5_L=12	4				
47		*	40101713	40101719		OVAL_PLUNGER	2	1.00			
48		*	40116455			OVAL_O_RING	4				
49		*	40116456	40101719		SPRING	2	1.00			
50		*	40116457			FREE_VALVE	2				
51		*	40116458			SPRING	2				
52		*	40116459			CONNECTING_SCREW	2				
53		*	40101714			PLUNGER_HOLD_PLATE	1				
54			HX00150000M			CABLE_CLIP	1				
55			SL4041091SC			SCREW M4 L=10	1				
56			EA9500B0100			CABLE_BAND	4				
57			SQ2050452MZ			CONNECTING_SCREW	1				
58			B1843563000			OIL ADJUSTING SCREW	1				
59			40126582			RUBBER_PLUG	1				FOR LU-2810,28
60			NM6050003SC			NUT_M5X0.8	1				

LUBRICATION COMPONENTS (FOR LU-2810,2810-7,2818-7,2810-7/X73178)





LUBRICATION COMPONENTS (FOR LU-2860,2860-7,2868-7)

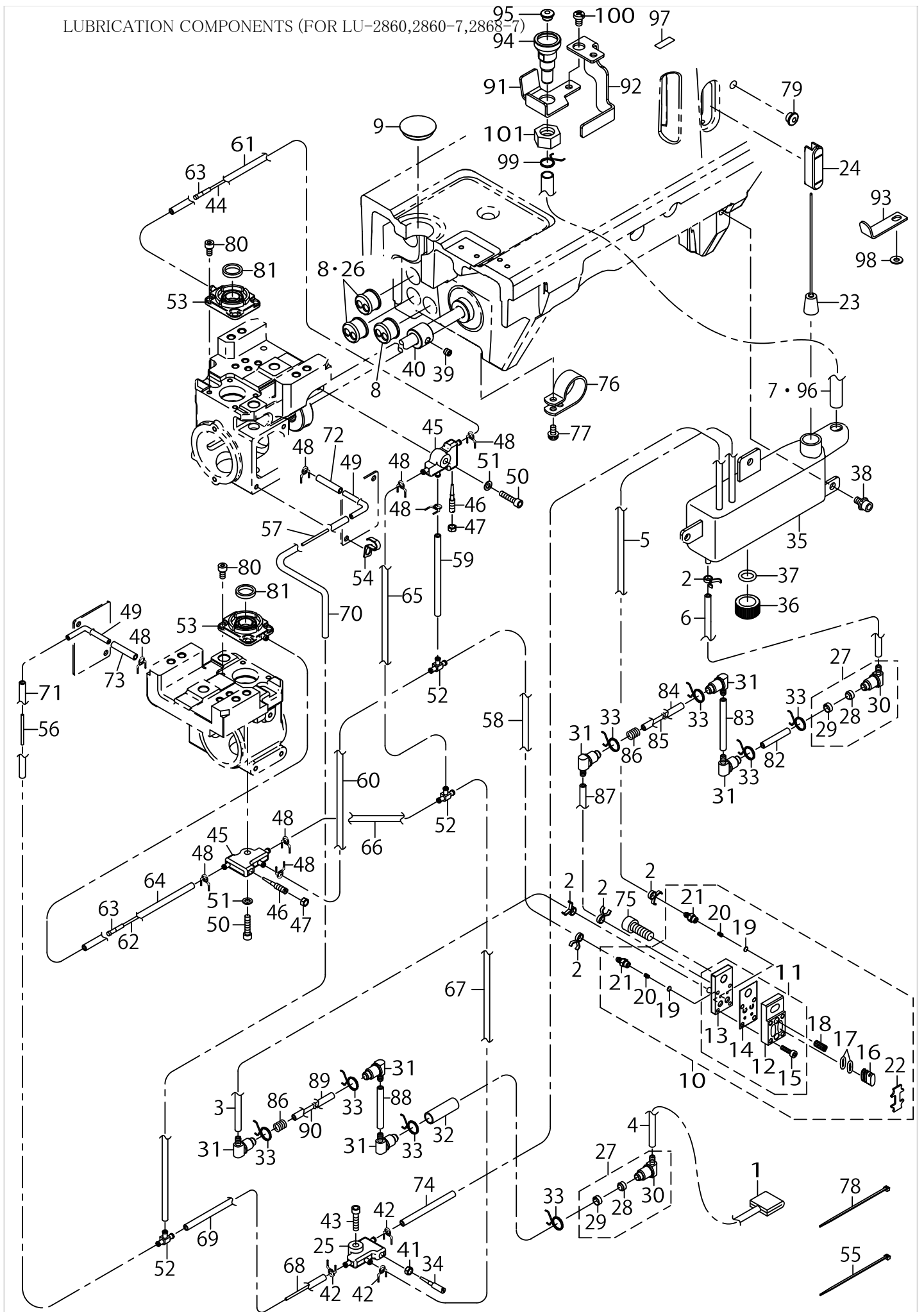


LUBRICATION COMPONENTS (FOR LU-2860,2860-7,2868-7)

No.	C- ons	Le- vel	Parts No.	Replacement	Supply Code	Parts name	Qty	R- ep. Q- TY	Status	Spec	Remarks
1			40112320			FELT	1				
2			13142609			OIL TUBE HOLDER	5				
3			23630007			TUBE	.1				
4			23630007			TUBE	.4				
5			23630007			TUBE	.4				
6			23630007			TUBE	.02				
7			23630106			TUBE_B	.32				
8			22935308	11100104		MAGNET_CORD_RUBBER	2	1.00			FOR LU-2860,28
9			40028294			FEED_ADJUSTING_CAP	1				
10			40101719			PUMP_BASE_ASSY	1				
11		*	40102249	40101719		PUMP_BASE_ASM.	1	1.00			
12		*	40101715	40101719		PUMP_BASE_TOP	1	1.00			
13		*	40101716	40101719		PUMP_BASE_BOTTOM	1	1.00			
14		*	40101717			GASKET_SHEET	1				
15		*	SM6031202TP			SCREW_M3X0.5_L=12	4				
16		*	40101713	40101719		OVAL_PLUNGER	2	1.00			
17		*	40116455			OVAL_O_RING	4				
18		*	40116456	40101719		SPRING	2	1.00			
19		*	40116457			FREE_VALVE	2				
20		*	40116458			SPRING	2				
21		*	40116459			CONNECTING_SCREW	2				
22		*	40101714			PLUNGER_HOLD_PLATE	1				
23			23628357			FLOATER_ASM.	1				
24			40036167			OIL_GAGE	1				
25			40032804			BASE	1				
26			22935308	11100104		MAGNET_CORD_RUBBER	3	1.00			FOR LU-2860-7
27			23630650			OIL_FILTER_JOINT_ASM.	2				
28	☆	*	23630403	23630650		OIL_FILTER_STOPPER	1	1.00			
29		*	23630502	23630650		OIL_FILTER	1	1.00			
30		*	23630601			OIL_FILTER_JOINT	1				
31			23630601			OIL_FILTER_JOINT	6				
32			23630106			TUBE_B	.03				
33			23629405			PIPE_STOPPER_B	8				
34			B1843563000			OIL_ADJUSTING_SCREW	1				
35			40125929			OIL_TANK	1				
36			40013595			OIL_EXIT_CAP	1				
37			RO098240100			RUBBER_RING	1				
38			SL6051092TN			BOLT	3				
39			SM8050512TP			SCREW	1				
40			40101721			ECCENTRIC_CAM	1				
41			NS6110310SP			NUT_11/64-40	1				
42			13142609			OIL_TUBE HOLDER	3				
43			SM6041802TP			SCREW_M4_L=18	1				
44			CQ202000000			OIL_WICK	.15				
45			40032804			BASE	2				
46			B1834512000A			OIL_ADJUSTING_SCREW	2				
47			NS6110310SP			HEXAGONAL_NUT_11/64-4	2				
48			13142609			OIL_TUBE HOLDER	8				
49			22923908	11020906		HOOK_DRIVING_SHAFT_OIL	2	1.00			
50			SM6041802TP			SCREW_M4_L=18	2				
51			WP0430800SD			WASHER_M4	2				
52			13765607			OIL_CONNEC_ARM	3				
53			40112246			OIL_SUPPLY	2				
54			26231902			OIL_WICK_PIPE_STOPPER	1				
55			EA9500B0100			CABLE_BAND	2				
56			CQ202000000			COTTON_OIL_WICK_D=2	.03				
57			CQ202000000			COTTON_OIL_WICK_D=2	.03				
58			23630007			TUBE	.19				
59			23630007			TUBE	.08				
60			23630007			TUBE	.145				



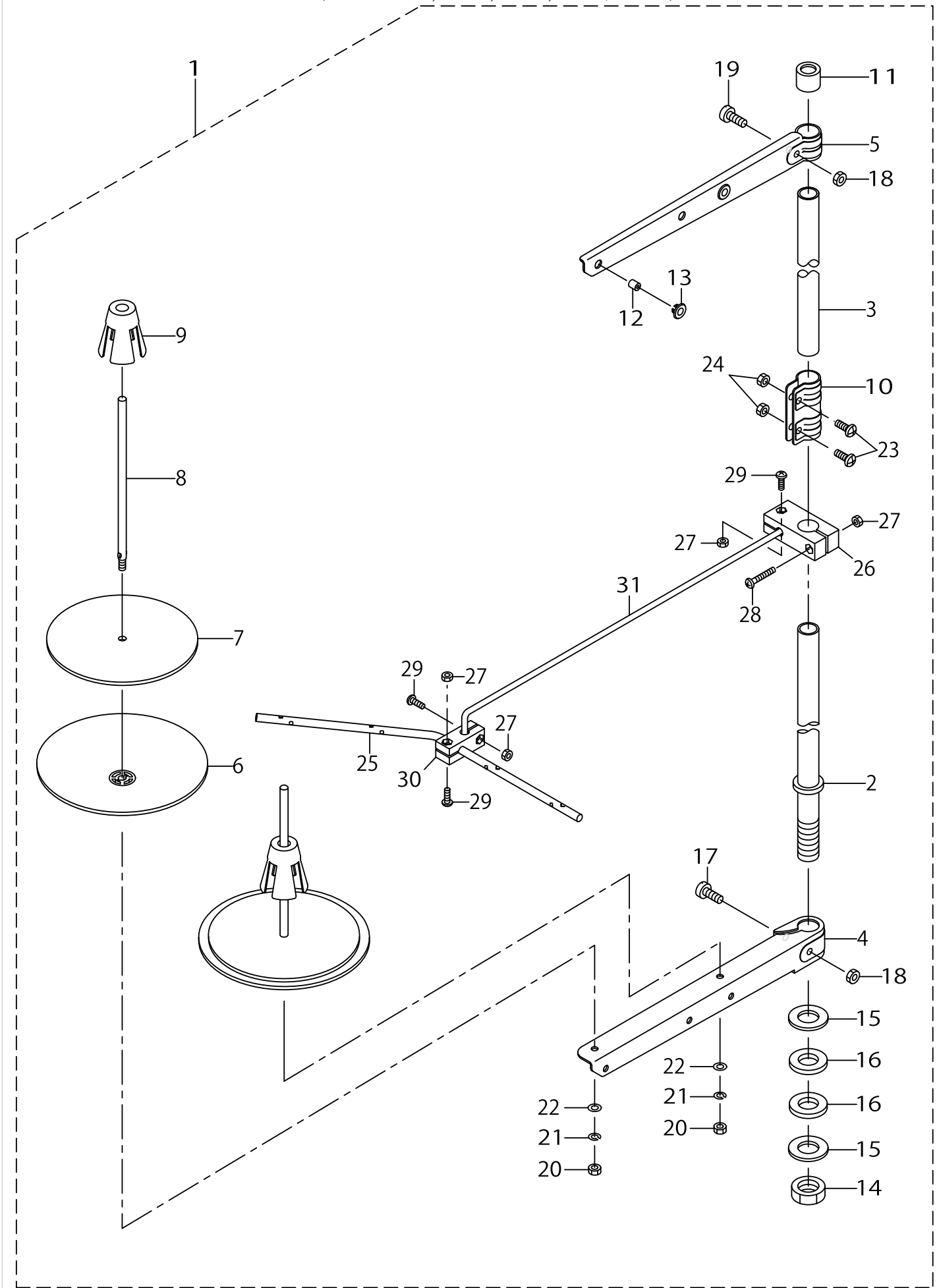
LUBRICATION COMPONENTS (FOR LU-2860,2860-7,2868-7)



LUBRICATION COMPONENTS (FOR LU-2860,2860-7,2868-7)

No.	C- ons	Le- vel	Parts No.	Replacement	Supply Code	Parts name	Qty	R- ep. Q- TY	Status	Spec	Remarks
61			23630007			TUBE	.195				
62			CQ202000000			OIL WICK	.16				
63			11015906			OIL WICK	4				
64			23630007			TUBE	.16				
65			23630007			TUBE	.065				
66			23630007			TUBE	.11				
67			23630007			TUBE	.18				
68			CQ202000000			OIL WICK	.1				
69			23630007			TUBE	.12				
70			23630007			TUBE	.13				
71			23630007			TUBE	.095				
72			23630007			TUBE	.026				
73			23630007			TUBE	.026				
74			23630007			TUBE	.33				
75			SM6061802TP			SCREW_M6_L=18	1				
76			HX00150000M			CABLE CLIP	1				
77			SL4041091SC			SCREW M4 L=10	1				
78			EA9500B0100			CABLE_BAND	5				
79			40126582			RUBBER_PLUG	1				FOR LU-2860,28
80			SM6040802TP			SCREW_M4X0.7_L=8	8				
81			40112318			OIL_SUPPLY_FELT	2				
82			23630007			TUBE	.03				
83			23630007			TUBE	.05				
84			23630106			TUBE B	.09				
85			CQ303000000			OIL WICK	.26				
86			12210803			SPRING	2				
87			23630007			TUBE	.1				
88			23630007			TUBE	.04				
89			23630106			TUBE B	.09				
90			CQ303000000			OIL WICK	.26				
91			40147956			INLET_PLATE	1				FOR LU-2868-7
92			40155370			TUBE HOLDER A	1				FOR LU-2868-7
93			40155371			TUBE HOLDER B	1				FOR LU-2868-7
94			40155440			LUBRICATING INLET	1				FOR LU-2868-7
95			40126582			RUBBER_PLUG	1				FOR LU-2868-7
96			23630106			TUBE B	.35				FOR LU-2868-7
97			B1140761000			OILING LABEL	1				FOR LU-2868-7
98			WP0450801SP			WASHER	1				FOR LU-2868-7
99			23629405			PIPE STOPPER B	1				FOR LU-2868-7
100			SM4050855SP			SCREW	1				FOR LU-2868-7
101			NM6120001CP			NUT M12	1				FOR LU-2868-7

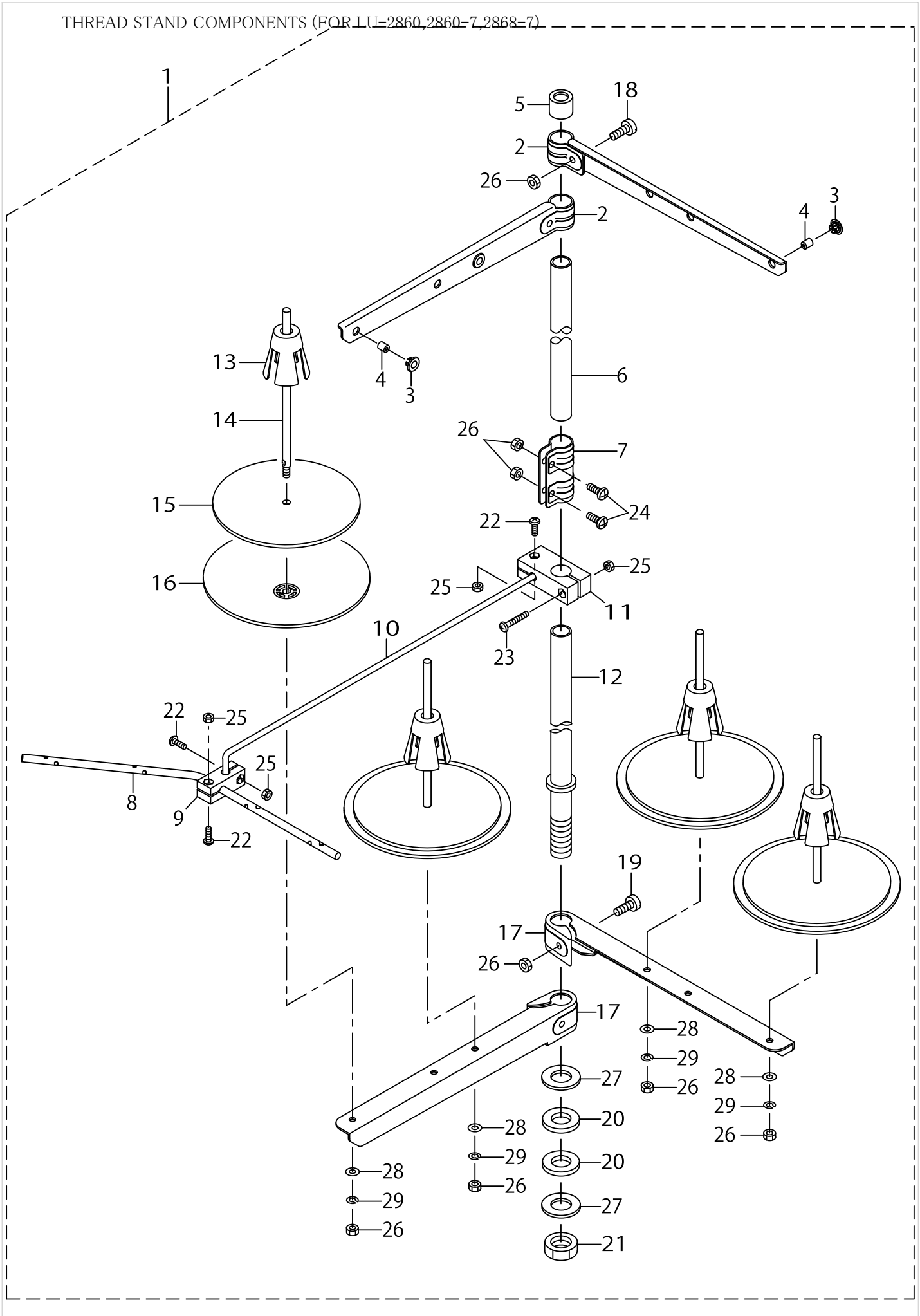
THREAD STAND COMPONENTS (FOR LU-2810,2810-7,2818-7,2810-7/X73178)



THREAD STAND COMPONENTS (FOR LU-2810,2810-7,2818-7,2810-7/X73178)

No.	C- ons	Le- vel	Parts No.	Replacement	Supply Code	Parts name	Qty	R- ep- Q- TY	Status	Spec	Remarks
1			40142213			THREAD_STAND_PACKING	1				
2		*	40085784			SPOOL_REST_ROD_LOWER	1				
3		*	40085785			SPOOL_REST_ROD_UPPER	1				
4		*	40085786			SPOOL_REST_ARM_LOWER	1				
5		*	40085787			SPOOL_REST_ARM_UPPER	1				
6		*	40085788			SPOOL_REST	2				
7		*	40085789			SPOOL_REST_CUSHION	2				
8		*	40085790			SPOOL_PIN	2				
9		*	40085791			SPOOL_RETAINER	2				
10		*	40085792			SPOOL_REST_ROD_JOINT	1				
11		*	40085793			SPOOL_REST_ROD_RUBBER	1				
12		*	40085794			THREAD_GUIDE	2				
13		*	40085795			THREAD_GUIDE_BUSHING	2				
14		*	40096325			SPOOL_REST_ROD_NUT	1				
15		*	WP1612616SE			WASHER_16X30X2.6	2				
16		*	40085796			SPOOL_REST_ROD_RUBBER	2				
17		*	40096326			SPOOL_REST_ARM_LOWER	1				
18		*	NM6050001SE			NUT_M5	2				
19		*	40096327	SM4053001SE		SPOOL_REST_ARM_UPPER_S	1	1.00			
20		*	NM6050001SE			NUT_M5	2				
21		*	WS0510002KN			SPRING_WASHER_M5	2				
22		*	WP0531001SC			WASHER_M5	2				
23		*	SM4051405SE			SCREW_M5_L=14	2				
24		*	NM6050001SE			NUT_M5	2				
25		*	40106582			THREAD_GUIDE_4	1				
26		*	40106579			THREAD_GUIDE_ARM_BASE	1				
27		*	NM6040002SC	NM6040002SE		NUT_M4	4	1.00			
28		*	SM4042501SC			SCREW_M4X0.7_L=25	1				
29		*	SM4041201SC			SCREW_M4_L=12	3				
30		*	40106580			THREAD_GUIDE_UNDER_BA	1				
31		*	40106576			THREAD_GUIDE_ARM	1				

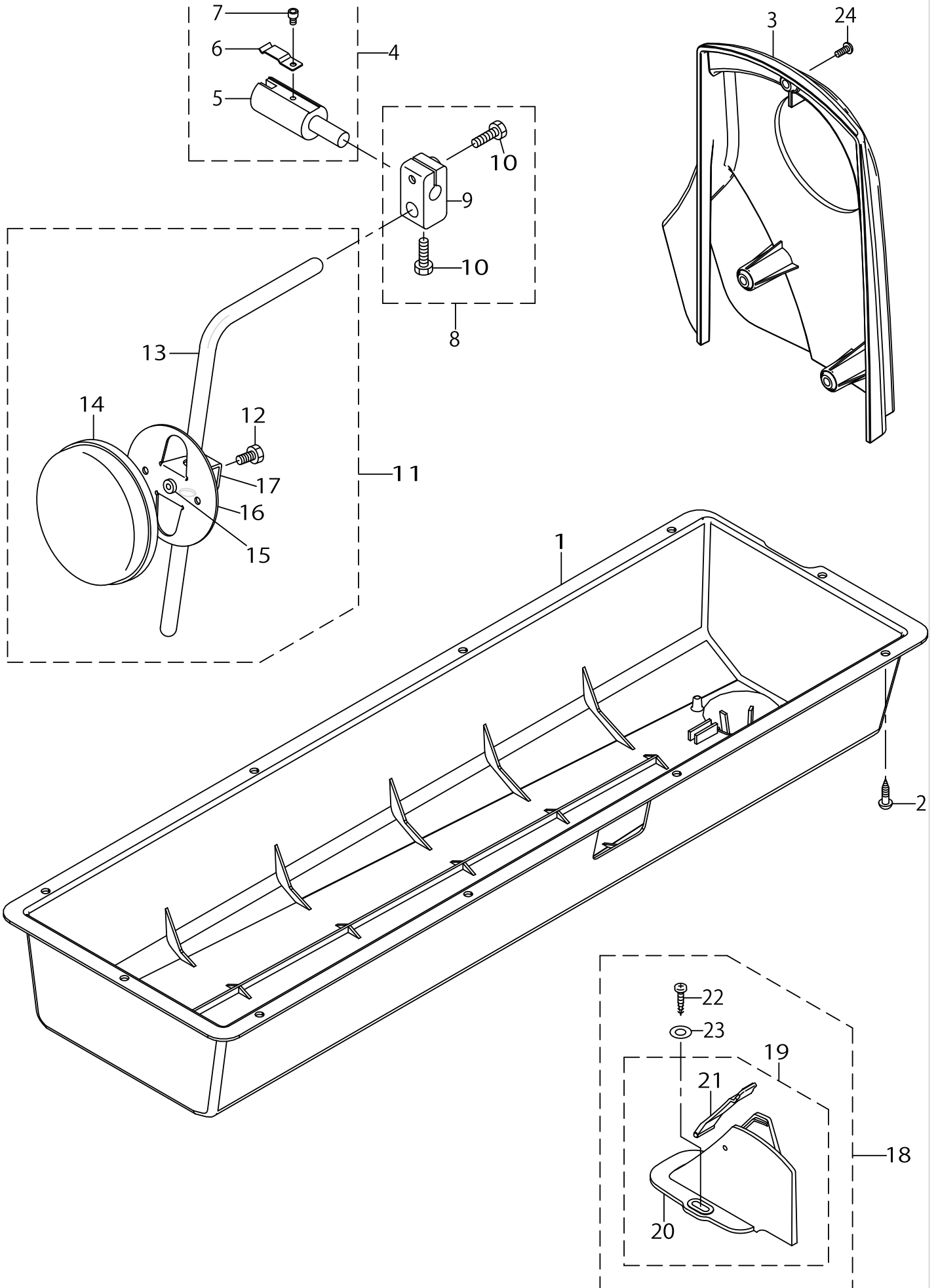
THREAD STAND COMPONENTS (FOR LU-2860,2860-7,2868-7)



THREAD STAND COMPONENTS (FOR LU-2860,2860-7,2868-7)

No.	C- ons	Le- vel	Parts No.	Replacement	Supply Code	Parts name	Qty	R- ep. Q- TY	Status	Spec	Remarks
1			40106584			THREAD STAND PACKING	1				
2		*	40085787			SPOOL REST ARM UPPER	2				
3		*	40085795			THREAD GUIDE BUSHING	4				
4		*	40085794			THREAD GUIDE	4				
5		*	40085793			SPOOL REST ROD RUBBER	1				
6		*	40085785			SPOOL REST ROD UPPER	1				
7		*	40085792			SPOOL REST ROD JOINT	1				
8		*	40106582			THREAD GUIDE 4	1				
9		*	40106580			THREAD GUIDE UNDER BA	1				
10		*	40106576			THREAD GUIDE ARM	1				
11		*	40106579			THREAD GUIDE ARM BASE	1				
12		*	40085784			SPOOL REST ROD LOWER	1				
13		*	40085791			SPOOL RETAINER	4				
14		*	40085790			SPOOL PIN	4				
15		*	40085789			SPOOL REST CUSHION	4				
16		*	40085788			SPOOL REST	4				
17		*	40085786			SPOOL REST ARM LOWER	2				
18		*	40096327	SM4053001SE		SPOOL REST ARM UPPER S	2	1.00			
19		*	40096326			SPOOL REST ARM LOWER	2				
20		*	40085796			SPOOL REST ROD RUBBER	2				
21		*	40096325			SPOOL REST ROD NUT	1				
22		*	SM4041201SC			SCREW M4 L=12	3				
23		*	SM4042501SC			SCREW M4X0.7 L=25	1				
24		*	SM4051405SE			SCREW M5 L=14	2				
25		*	NM6040002SC	NM6040002SE		NUT M4	4	1.00			
26		*	NM6050001SE			NUT M5	10				
27		*	WP1612616SE			WASHER 16X30X2.6	2				
28		*	WP0531001SC			WASHER M5	4				
29		*	WS0510002KN			SPRING WASHER M5	4				

BOTTOM COVER & BELT COVER COMPONENTS

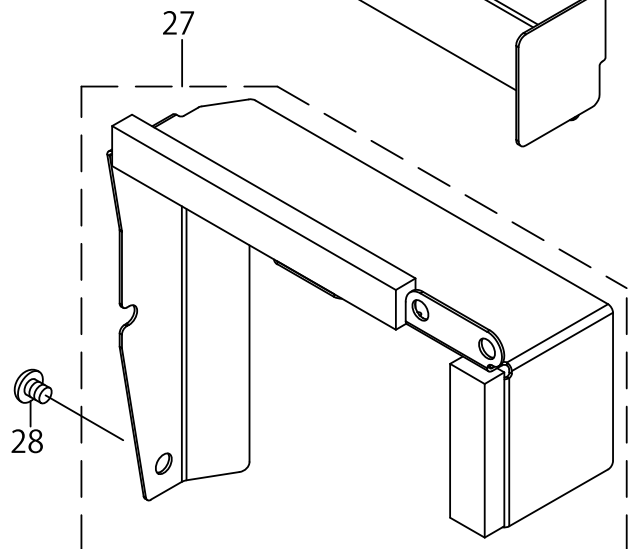
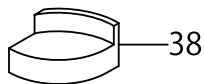
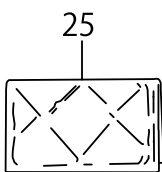
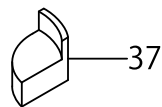
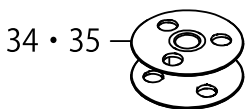
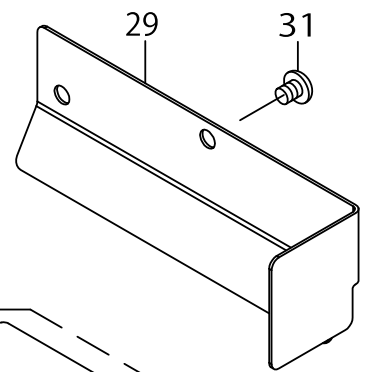
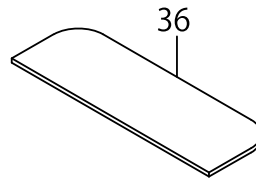
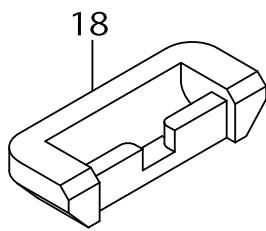
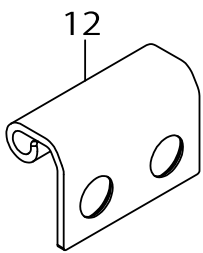
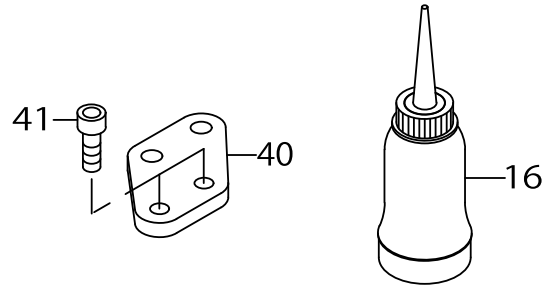
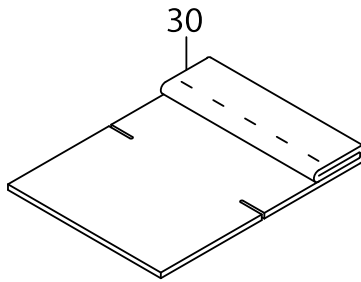
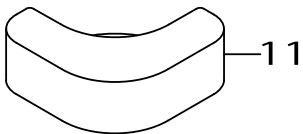
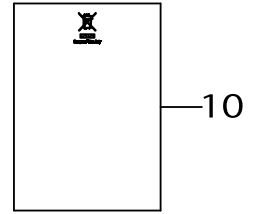
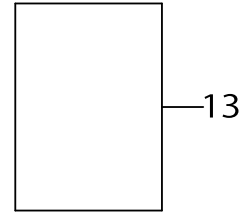
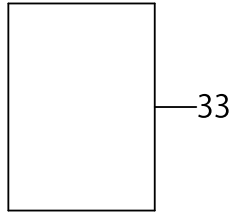
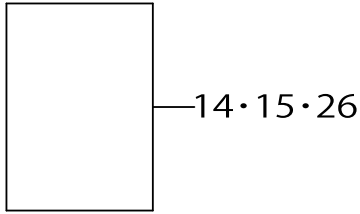
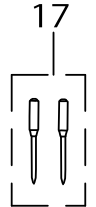
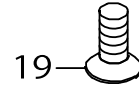
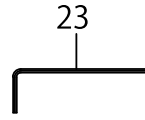
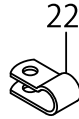
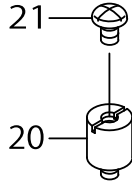
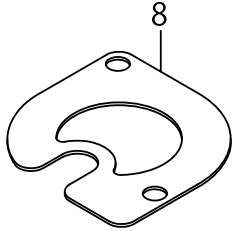
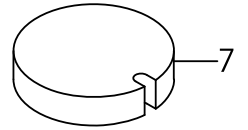
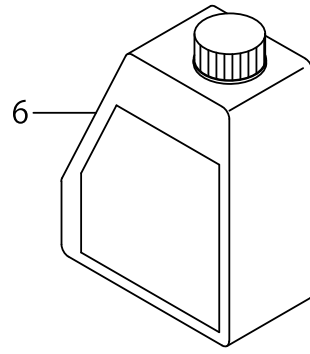
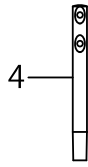
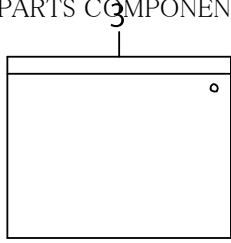
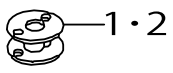


BOTTOM COVER & BELT COVER COMPONENTS

No.	C- ons	Le- vel	Parts No.	Replacement	Supply Code	Parts name	Qty	R- ep. Q- TY	Status	Spec	Remarks
1			40126155			OIL_PAN	1				
2			SK3482001SE			WOOD SCREW D=4.8 L=20	10				
3			40126543			BELT_COVER	1				FOR LU-2810,28
4			40143069			KNEE LIFTER JOINT ASM.	1				FOR LU-2810,28
5		*	40143070			KNEE LIFTER JOINT	1				
6		*	40143071			PRESSER SPRING	1				
7		*	SM6040602TP			SCREW M4 L=6	1				
8			22932453			BRACKET ASM.	1				FOR LU-2810,28
9		*	22932404	22932453		BRACKET	1	1.00			
10		*	22934707			SCREW	2				
11			21343157			KNEE PRESS PLATE ASM.	1				FOR LU-2810,28
12		*	SM9061203SE			SCREW M6 L=12	1				
13		*	21343108	21343157		KNEE PRESS LEVER	1	1.00			
14		*	22934509			KNEE PAD PLATE COVER	1				
15		*	22934400			KNEE PAD PLATE RUBBER	1				
16		*	22934202			KNEE PAD PLATE	1				
17		*	22934301			KNEE PAD PLATE SUPPOR	1				
18			40126560			ASSY_BELT_COVER_B2	1				FOR LU-2810,28
19		*	40112296			BELT_COVER_B_COMPL.	1				
20		*	40112314			BELT_COVER_B	1				
21		*	40112313			BELT_COVER_B_LID_ASM.	1				
22		*	SK3412000SC	SK3412000SE		WOOD SCREW D=4.1 L=20	2	1.00			
23		*	WP0501016SD			WASHER 5X10.5X1	2				
24			SM4051055SP			SCREW	3				FOR LU-2810,28



ACCESSORIES PARTS COMPONENTS



ACCESSORIES PARTS COMPONENTS

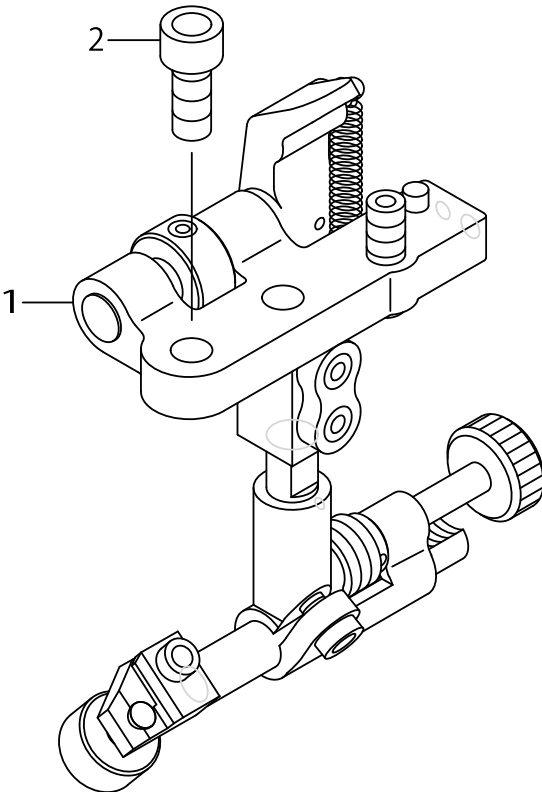
No.	C- ons	Le- vel	Parts No.	Replacement	Supply Code	Parts name	Qty	R- ep- Q- TY	Status	Spec	Remarks
1	☆		21334800			ALUMINUM BOBBIN WITH	1				FOR LU-2810,28
2	☆		21334800			ALUMINUM BOBBIN WITH	2				FOR LU-2860,28
3			21413158			ACCESSORY BAG ASM.	1				
4			22958300			NEEDLE THREAD GUIDE P	1				FOR LU-2860,28
5			10539906			SET NAIL	14				
6			40102087		Disconinue	JUKI_MACHINE_OIL_7	1				
7			40126405			OIL_FILTER	1				
8			40126267			FELT HOLDER	1				
9			23629306			PIPE STOPPER A	2				
10			CM600100201			WEEE INFORMATION SHEET	1				FOR JE
11			40151800			CUSHION_RUBBER	2				
12			40125869			HINGE	2				
13			40142430			DECLARATION OF INCORP	1				FOR JE
14			40151455			INSTRUCTION_MANUAL_1K	1				FOR CHINA
15			40151456			INSTRUCTION_MANUAL_4K	1				EXCEPT CHINA
16			B91210120A0			OILER ASM.	1				
17	☆		M13517B1602			NEEDLE 135X17 #160-2	1				
18			40151801			HINGE_RUBBER	2				
19			B1516210D00			SCREW	4				
20			40126222			CP_SPACER	2				FOR LU-2810-7
21			SM4050855SP			SCREW	2				FOR LU-2810-7
22			HX00150000B			CABLE CLIP	2				FOR LU-2810-7
23			40079298			WRENCH	1				
24			10740900			RUBBER	8				
25			40048536			HEAD_COVER	1				
26			40151457			INSTRUCTION_MANUAL_9K	1				FOR JE
27			40131916			OIL_SHIELD_PLATE_ASSY	1				FOR LU-2810,28
28			SM4050655SP			SCREW M5 L=6	4				FOR LU-2810,28
29			40131580			OIL_SHIELD_PLATE	1				FOR LU-2860,28
30			40133730			OIL FILTER	1				
31			SM4050655SP			SCREW M5 L=6	2				FOR LU-2860,28
32			MAO11532000			CORD STAPLE	3				FOR LU-2810-7
33			40151458			PARTS_LIST	1				
34	☆		40147913			BOBBIN	1				FOR LU-2818-7
35	☆		40147913			BOBBIN	2				FOR LU-2868-7
36			40151802			SPACER_RUBBER	8				
37			40151803			RUBBER_CUSHION_LEFT	1				
38			40151804			RUBBER_CUSHION_RIGHT	1				
39			40151805			RUBBER_CUSHION_SHEET	4				
40			40112214			EDGE_GUIDE_FITTING_PLA	1				
41			SM6051402TP			SCREW M5X0.8 L=14	2				
42			22926208		Disconinue	SET NAIL	2				

TABLE OF EXCHANGING GAUGE PARTS (FOR LU-2810,2810-7,2818-7)

Item 品名	Standard gauge 標準ゲージ		Europe gauge ヨーロッパゲージ			
	LU-2810S	LU-2810S-7	LU-2810A	LU-2810A-7	LU-2818A-7	LU-2810A-7/X73178
Throat plate 針板						
	Part No.	Part No.	Part No.	Part No.	Part No.	Part No.
	401-12212	401-26349	401-12211	401-26350	401-47949	401-26350
Feed dog 送り歯						
	Part No.	Part No.	Part No.	Part No.	Part No.	Part No.
	401-33270	401-33270	401-33272	401-33272	401-25925	401-33272
Working foot asm. 送り足組						
	Part No.	Part No.	Part No.	Part No.	Part No.	Part No.
	401-43061	401-43061	107-11653	107-11653	107-12354	107-11653
Presser foot asm. 押え足組						
	Part No.	Part No.	Part No.	Part No.	Part No.	Part No.
	213-50152	213-50152	107-12552	107-12552	107-12552	107-12552
Slide plate (front) 正面滑り板	/					
			Part No.			
			401-47918			
Slide plate (left) 滑り板 左						
	Part No.					
	401-12224					
Slide plate (right) 滑り板 右						
	Part No.	Part No.	Part No.	Part No.	Part No.	Part No.
	401-42215	401-12225	401-42215	401-12225	401-47944	401-47944



SUSPENSION SQUARE COMPONENTS (OPTIONAL PARTS)





NUMERICAL INDEX OF PARTS

PART NO	PAGE	REF NO.	PART NO	PAGE	REF NO.	PART NO	PAGE	REF NO.
10308609	8	49	21333901	12	66	22904155	20	52
10320109	56	25	21334800	16	44	22904155	28	34
10539906	80	5	21334800	80	2	22911804	32	41
10546901	6	37	21338405	8	10	22911804	36	6
10697506	56	14	21338504	8	47	22911804	38	61
10697506	58	2	21343108	78	13	22912000	32	42
10697605	58	3	21343157	78	11	22912109	32	43
10710804	20	3	21350152	22	74	22912257	56	1
10715704	36	7	21368154	8	50	22912257	58	47
10715704	38	62	21387600	10	52	22913008	22	75
10721306	32	23	21387709	10	53	22913008	28	5
10721504	6	39	21387808	10	54	22917009	50	2
10740900	80	24	21387907	10	55	22921308	64	32
11015906	68	69	21389309	52	70	22921407	64	31
11015906	72	63	21389408	50	25	22921506	56	31
11072402	58	4	21413158	80	3	22921506	58	25
11093606	58	5	21451406	8	14	22921506	64	28
12210803	68	74	22528509	56	35	22921704	64	29
12210803	72	86	22528509	58	45	22923908	70	49
12288908	30	70	22528806	56	18	22926208	80	42
12938304	56	17	22528806	58	8	22932107	26	11
12938304	58	7	22529408	56	21	22932156	26	10
13142609	66	2	22529408	58	9	22932404	78	9
13142609	68	66	22529515	58	10	22932453	78	8
13142609	70	48	22606206	8	33	22934202	78	16
13409107	24	10	22606305	8	34	22934301	78	17
13424502	34	70	22606404	8	39	22934400	78	15
13424502	36	31	22607600	8	35	22934509	78	14
13518501	32	6	22607709	8	36	22934707	78	10
13718507	64	16	22607808	8	37	22935308	66	26
13765607	66	13	22607907	8	38	22935308	70	26
13765607	70	52	22617609	58	11	22945703	56	19
13817408	56	6	22617708	58	12	22945802	56	22
13817408	58	6	22617807	56	16	22949101	24	17
13860408	62	18	22617807	58	13	22951552	2	26
13951009	24	22	22618201	56	7	22954309	56	2
18035006	34	67	22618201	58	14	22954309	58	40
18035006	38	85	22618300	58	15	22956205	50	4
18035105	34	68	22618706	56	24	22957104	50	6
18035105	38	86	22618706	58	16	22957203	50	8
18035303	24	13	22618805	58	17	22958300	80	4
18035501	40	6	22618904	58	18	22963409	56	20
18035709	42	23	22901805	2	6	23534506	34	73
18035709	54	19	22902506	2	16	23600505	2	28
18035907	44	12	22904106	28	35	23605207	6	46

NUMERICAL INDEX OF PARTS

PART NO	PAGE	REF NO.	PART NO	PAGE	REF NO.	PART NO	PAGE	REF NO.
23613409	32	24	26260406	64	4	40075548	18	64
23613409	36	23	26260505	64	6	40077931	32	58
23628357	66	23	26260802	64	8	40077931	38	74
23628357	70	23	26261008	64	9	40079298	80	23
23629306	80	9	26261503	64	11	40079896	16	26
23629405	66	33	32055501	60	6	40079898	16	51
23629405	68	86	40006323	82	1	40079899	16	52
23629405	70	33	40006716	24	2	40079900	16	53
23629405	72	99	40010298	14	18	40079901	16	31
23630007	32	17	40010437	6	22	40079902	16	55
23630007	36	13	40010438	6	23	40079903	16	56
23630007	66	10	40010439	6	24	40079904	16	34
23630007	68	76	40010440	6	25	40079905	16	35
23630007	70	60	40010533	6	42	40079909	16	60
23630007	72	88	40010534	6	43	40079912	16	42
23630106	66	32	40010535	6	44	40079912	18	65
23630106	68	83	40010709	8	1	40082078	26	17
23630106	70	32	40011902	6	31	40084142	2	30
23630106	72	96	40013595	66	36	40085784	74	2
23630403	66	28	40013595	70	36	40085784	76	12
23630403	70	28	40023627	20	21	40085785	74	3
23630502	66	29	40026457	6	48	40085785	76	6
23630502	70	29	40028116	6	52	40085786	74	4
23630601	66	31	40028294	66	21	40085786	76	17
23630601	70	31	40028294	70	9	40085787	74	5
23630650	66	27	40032804	66	34	40085787	76	2
23630650	70	27	40032804	70	45	40085788	74	6
23631708	42	27	40033825	32	26	40085788	76	16
23631708	44	16	40033825	36	24	40085789	74	7
23631807	42	28	40034674	2	10	40085789	76	15
23631807	44	17	40034675	2	9	40085790	74	8
23631906	42	29	40036167	66	24	40085790	76	14
23631906	44	18	40036167	70	24	40085791	74	9
23632102	42	25	40038494	20	35	40085791	76	13
23632102	44	14	40038494	28	33	40085792	74	10
23638406	48	2	40038778	8	52	40085792	76	7
23639503	26	23	40042716	2	11	40085793	74	11
26017400	30	71	40048536	80	25	40085793	76	5
26018705	30	62	40052253	10	5	40085794	74	12
26229302	32	28	40052254	44	4	40085794	76	4
26229302	36	53	40069741	66	17	40085795	74	13
26231902	52	64	40075542	16	59	40085795	76	3
26231902	70	54	40075547	16	41	40085796	74	16
26260109	64	2	40075547	18	63	40085796	76	20
26260307	64	3	40075548	16	40	40086018	24	24



NUMERICAL INDEX OF PARTS

PART NO	PAGE	REF NO.	PART NO	PAGE	REF NO.	PART NO	PAGE	REF NO.
40086679	60	15	40112092	6	28	40112228	54	9
40088958	64	27	40112093	6	29	40112230	50	14
40088959	64	30	40112094	6	30	40112232	50	29
40090058	20	17	40112098	28	11	40112233	52	74
40090101	34	74	40112106	6	5	40112234	52	72
40094561	2	42	40112118	28	18	40112235	50	18
40096325	74	14	40112127	26	9	40112240	10	49
40096325	76	21	40112127	32	11	40112242	10	39
40096326	74	17	40112127	36	49	40112246	66	15
40096326	76	19	40112128	32	12	40112246	70	53
40096327	74	19	40112136	42	1	40112251	50	38
40096327	76	18	40112137	42	2	40112252	14	36
40101713	66	47	40112137	54	2	40112253	10	3
40101713	70	16	40112138	42	3	40112267	32	55
40101714	66	53	40112138	54	3	40112270	8	27
40101714	70	22	40112140	42	5	40112271	8	28
40101715	66	43	40112140	54	5	40112272	8	29
40101715	70	12	40112149	42	6	40112273	8	22
40101716	66	44	40112149	54	6	40112274	6	10
40101716	70	13	40112150	42	7	40112277	2	45
40101717	66	45	40112151	42	8	40112278	50	19
40101717	70	14	40112151	54	8	40112281	32	14
40101719	66	41	40112152	8	19	40112282	32	15
40101719	70	10	40112176	20	4	40112285	60	11
40101721	66	40	40112184	24	3	40112288	42	24
40101721	70	40	40112187	24	14	40112288	44	13
40102087	80	6	40112188	24	15	40112293	28	30
40102249	66	42	40112191	40	7	40112296	78	19
40102249	70	11	40112192	40	11	40112299	6	20
40102261	2	4	40112197	20	47	40112312	6	3
40105508	46	1	40112199	20	48	40112313	78	21
40105509	46	4	40112204	56	9	40112314	78	20
40105510	46	2	40112204	58	19	40112318	66	14
40106576	74	31	40112213	42	26	40112318	72	81
40106576	76	10	40112213	44	15	40112320	66	1
40106579	74	26	40112214	80	40	40112320	70	1
40106579	76	11	40112215	46	3	40113224	12	61
40106580	74	30	40112216	46	5	40116455	66	48
40106580	76	9	40112218	56	10	40116455	70	17
40106582	74	25	40112218	58	20	40116456	66	49
40106582	76	8	40112219	56	11	40116456	70	18
40106584	76	1	40112219	58	21	40116457	66	50
40112087	6	1	40112224	2	49	40116457	70	19
40112088	6	19	40112225	2	50	40116458	66	51
40112091	6	27	40112228	42	9	40116458	70	20

NUMERICAL INDEX OF PARTS

PART NO	PAGE	REF NO.	PART NO	PAGE	REF NO.	PART NO	PAGE	REF NO.
40116459	66	52	40125859	14	16	40126159	22	68
40116459	70	21	40125860	20	15	40126160	20	31
40122887	32	8	40125861	20	16	40126161	28	7
40123247	10	46	40125862	10	56	40126166	20	12
40123248	52	76	40125864	32	22	40126221	2	32
40123252	28	29	40125867	20	22	40126222	80	20
40123262	20	28	40125868	22	86	40126223	20	34
40123319	20	27	40125869	80	12	40126244	6	26
40123320	20	29	40125872	42	4	40126259	48	4
40123321	20	30	40125872	54	4	40126260	48	1
40123332	28	27	40125873	56	4	40126263	60	3
40123340	10	11	40125873	58	42	40126264	20	37
40123345	22	72	40125876	22	71	40126265	56	3
40123345	30	67	40125877	22	85	40126265	58	41
40123346	30	68	40125879	50	10	40126267	80	8
40123414	20	39	40125919	32	3	40126269	20	36
40123416	20	38	40125920	32	39	40126270	26	1
40123428	12	85	40125926	20	46	40126271	26	2
40123547	28	16	40125927	64	13	40126272	26	6
40123555	20	40	40125928	64	24	40126273	26	7
40123626	28	14	40125929	66	35	40126274	26	8
40123627	28	24	40125929	70	35	40126311	64	14
40123628	32	19	40125930	6	32	40126321	6	9
40123629	28	17	40125934	32	2	40126338	20	33
40123634	20	20	40125935	30	65	40126339	28	28
40123634	28	19	40125936	20	10	40126349	2	38
40123639	28	26	40125937	20	11	40126351	14	33
40123665	20	7	40125939	6	35	40126354	64	10
40123666	28	1	40125943	20	18	40126355	64	1
40123667	28	4	40125948	60	2	40126356	26	3
40123668	28	23	40125949	60	4	40126357	28	12
40125843	28	13	40125950	6	6	40126359	30	66
40125844	64	25	40126116	32	20	40126360	14	15
40125845	10	1	40126116	36	15	40126361	14	7
40125846	10	2	40126127	62	11	40126362	32	13
40125847	12	80	40126128	62	4	40126363	32	1
40125848	12	81	40126129	42	31	40126363	36	1
40125850	20	50	40126129	44	20	40126364	24	6
40125851	64	7	40126130	52	66	40126365	10	42
40125852	20	8	40126131	48	5	40126366	10	57
40125854	20	9	40126150	24	4	40126367	24	1
40125856	28	22	40126151	28	15	40126372	10	37
40125857	28	25	40126155	78	1	40126373	56	5
40125858	32	44	40126157	22	69	40126374	20	45
40125858	38	64	40126158	22	70	40126375	28	21

NUMERICAL INDEX OF PARTS

PART NO	PAGE	REF NO.	PART NO	PAGE	REF NO.	PART NO	PAGE	REF NO.
40126381	10	7	40129984	36	3	40134834	2	55
40126382	12	79	40129985	38	65	40134959	32	30
40126386	28	6	40129986	36	2	40134959	36	35
40126390	20	32	40129988	36	4	40135014	20	23
40126391	14	13	40129991	36	50	40135472	14	34
40126399	16	23	40129995	2	56	40135473	14	38
40126400	20	49	40129999	38	67	40135474	10	12
40126401	28	10	40130001	36	17	40135475	14	37
40126402	8	7	40130003	36	18	40135500	14	8
40126403	8	5	40130003	38	70	40135504	12	90
40126404	56	12	40130004	36	16	40135505	12	88
40126405	80	7	40130004	38	69	40136296	8	16
40126454	12	84	40130005	36	19	40137431	14	6
40126455	12	82	40130005	38	71	40137553	30	73
40126543	78	3	40130006	36	22	40137554	30	75
40126545	62	5	40130006	38	88	40137612	38	93
40126546	52	67	40130277	6	4	40137613	36	14
40126547	14	12	40130283	62	15	40137779	30	76
40126549	64	23	40130284	62	16	40137780	30	77
40126550	64	12	40130412	36	39	40137780	36	36
40126555	32	16	40130702	6	2	40137921	50	39
40126556	58	1	40130703	2	24	40138418	12	102
40126557	58	22	40130704	2	15	40138419	12	103
40126560	78	18	40130705	2	1	40138420	12	104
40126561	32	5	40130706	2	21	40138421	12	105
40126562	60	14	40130819	38	87	40138422	12	106
40126563	60	13	40130820	36	43	40138423	12	107
40126582	66	59	40130820	38	89	40139042	12	87
40126582	68	82	40131580	80	29	40139043	10	35
40126582	72	95	40131887	32	4	40139345	60	1
40126594	64	5	40131887	36	46	40142199	32	21
40126642	32	46	40131916	80	27	40142200	32	49
40126642	38	66	40131956	16	2	40142201	32	51
40126643	32	47	40132118	36	34	40142208	42	10
40126643	38	68	40132118	38	78	40142208	54	10
40126724	56	13	40132434	50	21	40142213	74	1
40126724	58	23	40133612	54	1	40142430	80	13
40127041	8	20	40133655	54	7	40143069	78	4
40127042	8	6	40133730	80	30	40143070	78	5
40127049	6	33	40133826	36	38	40143071	78	6
40127051	8	8	40134105	36	12	40143082	10	20
40127052	8	13	40134528	36	5	40143083	6	11
40127054	8	9	40134532	6	36	40143084	10	17
40127056	2	51	40134545	6	34	40143085	28	51
40127345	12	89	40134805	2	53	40143086	10	41

NUMERICAL INDEX OF PARTS

PART NO	PAGE	REF NO.	PART NO	PAGE	REF NO.	PART NO	PAGE	REF NO.
40143087	28	50	40148283	2	54	40155301	52	92
40143088	6	16	40149030	16	47	40155302	52	93
40143185	12	108	40149032	16	49	40155303	52	94
40143188	12	109	40149033	16	50	40155304	52	95
40143220	8	12	40149034	16	54	40155305	52	96
40143221	8	48	40149035	16	57	40155370	68	79
40143553	62	14	40149036	16	58	40155370	72	92
40143581	12	110	40149037	18	62	40155371	68	80
40143624	34	69	40149038	16	48	40155371	72	93
40143624	36	32	40149115	22	87	40155440	68	81
40143626	28	2	40149116	22	88	40155440	72	94
40144283	24	5	40149117	22	89	40157625	52	104
40144286	20	5	40149118	22	90	40157626	52	105
40144287	20	6	40149120	22	91	40157628	52	100
40144288	20	1	40149121	22	92	40157629	52	101
40144289	20	2	40149122	22	93	B111105100B	2	52
40145548	20	42	40149123	22	94	B1111563000	2	35
40145549	20	43	40149125	22	95	B1132521000	2	12
40145550	20	44	40149126	22	96	B1140761000	68	84
40147913	18	67	40149127	22	97	B1140761000	72	97
40147913	80	35	40149128	22	98	B125578100A	28	32
40147915	14	2	40150131	2	44	B1308055000	10	58
40147918	2	47	40151455	80	14	B1310055000	10	59
40147919	2	57	40151456	80	15	B1314055000	10	60
40147940	50	23	40151457	80	26	B1401053000	8	11
40147941	50	16	40151458	80	33	B1411053000	8	21
40147942	50	12	40151488	6	8	B1411521000	8	23
40147943	50	27	40151791	64	15	B1412051000	8	40
40147946	44	1	40151799	2	58	B1438512B00	8	32
40147947	44	2	40151800	80	11	B1504210000	40	1
40147948	44	3	40151801	80	18	B1516210D00	80	19
40147956	68	78	40151802	80	36	B152652700G	36	8
40147956	72	91	40151803	80	37	B152652700G	38	63
40147985	16	46	40151804	80	38	B1639051000	10	50
40148031	16	24	40151805	80	39	B1834512000A	70	46
40148032	16	25	40152022	64	35	B1843563000	66	58
40148033	16	27	40152451	8	2	B1843563000	70	34
40148034	16	28	40154199	20	19	B2508047000	50	33
40148035	16	29	40154226	8	15	B255728000A	12	73
40148036	16	30	40154227	8	17	B255728000B	12	74
40148037	16	38	40155295	52	82	B255728000C	12	75
40148037	18	61	40155296	52	83	B255728000D	12	76
40148038	16	39	40155297	52	84	B255728000E	12	77
40148039	16	3	40155298	52	85	B3010141H00	14	11
40148040	16	4	40155299	52	86	B3031141H00	40	3

NUMERICAL INDEX OF PARTS

PART NO	PAGE	REF NO.	PART NO	PAGE	REF NO.	PART NO	PAGE	REF NO.
B3112704000	56	8	D2464555B00	42	11	NM6120001CP	68	88
B3112704000	58	24	D2464555B00	54	11	NM6120001CP	72	101
B31375270A0	56	15	D2629M1YC0F	32	27	NS6110310SP	26	14
B31375270A0	58	26	D2629M1YC0F	36	52	NS6110310SP	50	41
B3138527000	58	27	E2613700000	20	26	NS6110310SP	56	23
B3139527000	58	28	E8760452D00	48	6	NS6110310SP	58	33
B3141527000	58	29	EA9500B0100	32	45	NS6110310SP	66	19
B3142527000	58	30	EA9500B0100	38	91	NS6110310SP	68	63
B3143527000	58	31	EA9500B0100	42	32	NS6110310SP	70	47
B3214047000	58	32	EA9500B0100	44	21	NS6150430SP	44	28
B3538112000	10	10	EA9500B0100	52	68	NS6680410SP	30	63
B3538112000	12	92	EA9500B0100	60	16	PA200150900	34	66
B4122804000	36	48	EA9500B0100	62	23	PA200150900	38	84
B91210120A0	80	16	EA9500B0100	66	56	PA250250900	40	12
BT0400251EB	24	12	EA9500B0100	70	55	PA250250900	44	5
BT0400251EB	32	53	EA9500B0100	72	78	PA400150200	24	16
BT0400251EB	38	76	EA9500B0200	62	13	PF055107000	62	20
BT0400251EB	40	2	HA004680000	48	7	PJ020500002	62	27
BT0400251EB	42	13	HK063610220	48	10	PJ025100003	62	19
BT0400251EB	44	6	HK075230000	48	9	PJ046052503	32	54
BT0400251EB	54	13	HW000840040	48	8	PJ046052503	38	77
BT0600401EB	62	1	HX00150000B	80	22	PJ046052503	42	14
BT0800501EB	62	2	HX00150000C	62	6	PJ046052503	44	7
CM300200001	2	14	HX00150000H	62	8	PJ046052503	54	14
CM600100101	2	43	HX00150000M	62	9	PJ304040504	40	5
CM600100201	80	10	HX00150000M	66	54	PJ304045102	24	21
CQ202000000	20	54	HX00150000M	72	76	PJ304065101	62	21
CQ202000000	22	83	M13517B1600	8	31	PS0350102KR	32	50
CQ202000000	28	48	M13517B1602	80	17	PX050501000	44	25
CQ202000000	68	68	MAH152010A0	84	1	RC0150001KP	20	53
CQ202000000	70	57	MAO11532000	80	32	RC0150001KP	28	37
CQ202000000	72	68	NM6030001SC	60	7	RC0560711KP	14	4
CQ252000000	8	45	NM6040002SC	74	27	RC0560711KP	64	17
CQ252000000	20	56	NM6040002SC	76	25	RC0650811KP	28	49
CQ252000000	22	79	NM6050001SD	26	21	RC0740816K0	10	16
CQ303000000	66	25	NM6050001SD	32	29	RC2351018KP	10	14
CQ303000000	68	73	NM6050001SD	36	54	RE0320000K0	40	4
CQ303000000	72	90	NM6050001SE	74	24	RE0400000K0	24	23
CS1201171TP	26	22	NM6050001SE	76	26	RE0400000K0	42	15
CS1201171TP	34	71	NM6050001SP	62	26	RE0400000K0	54	15
CS1201171TP	36	33	NM6050003SC	66	60	RE0500000K0	10	51
CS1701181TP	8	3	NM6060001CP	44	9	RE0500000K0	14	20
D1231555B00	20	51	NM6060001SC	44	26	RE0500000K0	20	57
D1231555B00	28	31	NM6060001SD	20	25	RE0500000K0	56	36
D2112555B00	2	40	NM6060001SE	26	18	RE0500000K0	58	46

NUMERICAL INDEX OF PARTS

PART NO	PAGE	REF NO.	PART NO	PAGE	REF NO.	PART NO	PAGE	REF NO.
RE1000000K0	26	15	SL4041491SC	46	6	SM6030602TP	8	25
RE1200000K0	28	38	SL4051091SC	42	18	SM6030602TP	50	47
RO037180100	56	26	SL4051091SC	54	18	SM6030602TP	60	9
RO037180100	58	34	SL6051092TN	66	38	SM6031202TP	64	20
RO092270200	32	56	SL6051092TN	70	38	SM6031202TP	66	46
RO092270200	36	55	SL6052592TN	6	17	SM6031202TP	70	15
RO098240100	66	37	SM0030601SC	64	18	SM6040502TP	10	23
RO098240100	70	37	SM0050801SC	22	61	SM6040502TP	12	91
SB108002400	6	40	SM0051001SC	64	34	SM6040602TP	10	25
SB115002200	12	86	SM1040750TP	2	34	SM6040602TP	78	7
SB120001800	6	13	SM1051052TN	2	37	SM6040650TP	8	18
SB120001800	10	47	SM1061201SN	12	63	SM6040650TP	10	26
SB120002700	6	45	SM4021601SN	48	3	SM6040650TP	12	83
SB125000600	20	58	SM4030601SN	20	13	SM6040650TP	20	59
SD0380556TL	2	13	SM4040655SP	2	36	SM6040650TP	30	74
SD0450401SP	56	27	SM4040655SP	52	65	SM6040802TP	14	23
SD0450401SP	58	35	SM4040855SP	2	27	SM6040802TP	36	42
SD0460576TP	50	31	SM4040855SP	52	97	SM6040802TP	50	49
SD0500803TP	26	16	SM4040855SP	62	10	SM6040802TP	66	16
SD0550271TP	60	8	SM4040855SP	66	22	SM6040802TP	72	80
SD0640322TP	12	62	SM4041201SC	74	29	SM6040860TP	64	19
SD0650321TP	50	43	SM4041201SC	76	22	SM6041002TP	50	37
SD0651301TH	50	35	SM4042501SC	74	28	SM6041202TP	44	27
SD0791271SP	44	22	SM4042501SC	76	23	SM6041402TP	36	45
SD0800321TH	42	16	SM4050501SC	8	41	SM6041802TP	36	21
SD0800321TH	54	16	SM4050655SP	4	61	SM6041802TP	38	73
SD0800341SP	42	17	SM4050655SP	80	31	SM6041802TP	68	67
SD0800341SP	54	17	SM4050855SP	2	41	SM6041802TP	70	50
SD0800346TP	32	57	SM4050855SP	32	32	SM6050800SP	30	72
SD0800346TP	38	79	SM4050855SP	42	19	SM6050802TP	24	9
SD0800406TP	44	24	SM4050855SP	44	8	SM6050802TP	34	59
SD0802126TP	20	24	SM4050855SP	56	37	SM6050802TP	38	81
SD0900426TP	32	48	SM4050855SP	58	48	SM6050802TP	42	20
SD0900426TP	38	80	SM4050855SP	68	87	SM6050802TP	54	20
SD1000406TP	26	19	SM4050855SP	72	100	SM6051000SP	20	60
SD1021251SP	28	20	SM4050855SP	80	21	SM6051202TP	26	4
SK3412000SC	78	22	SM4051001SN	56	33	SM6051202TP	32	34
SK3482001SE	62	24	SM4051001SN	58	43	SM6051202TP	36	58
SK3482001SE	78	2	SM4051055SP	2	59	SM6051202TP	62	22
SL4040691SC	48	11	SM4051055SP	6	49	SM6051400SP	26	5
SL4040881SC	32	31	SM4051055SP	78	24	SM6051400SP	32	33
SL4040881SC	36	26	SM4051255SP	60	12	SM6051400SP	36	57
SL4041091SC	62	3	SM4051405SE	74	23	SM6051402TP	10	34
SL4041091SC	66	55	SM4051405SE	76	24	SM6051402TP	42	21
SL4041091SC	72	77	SM4055501SC	2	3	SM6051402TP	54	21

NUMERICAL INDEX OF PARTS

PART NO	PAGE	REF NO.	PART NO	PAGE	REF NO.	PART NO	PAGE	REF NO.
SM6051402TP	80	41	SM8050612TP	20	14	SS7090910TP	8	24
SM6051602TP	32	35	SM8050612TP	28	57	SS7110740TP	42	30
SM6051602TP	34	62	SM80506A2TP	10	32	SS7110740TP	44	19
SM6051602TP	36	59	SM8050812TP	6	7	SS8080310TP	8	53
SM6051602TP	50	51	SM8050812TP	28	56	SS8080410TP	8	46
SM6051802TP	24	8	SM8050842TP	28	55	SS8090670SP	14	28
SM6052002TP	36	30	SM8051002TP	64	33	SS8110422TP	28	39
SM6054502TN	24	20	SM8060552TP	22	66	SS8110422TP	50	57
SM6054502TP	40	10	SM8060612TP	6	50	SS8111010TP	12	64
SM6055002TP	44	10	SM8060612TP	8	4	SS8151550SP	6	21
SM6056552TP	42	22	SM8060612TP	14	27	SS8660610TP	28	36
SM6056552TP	54	22	SM8060612TP	22	65	SS8660612TP	12	67
SM6061002TP	2	46	SM8060612TP	24	7	SS8661012TP	56	34
SM6061002TP	40	8	SM8060612TP	26	24	SS8661012TP	58	44
SM6061002TP	42	12	SM8060612TP	28	58	TA0500301R0	8	43
SM6061002TP	54	12	SM8060612TP	32	37	TA0620504R0	8	44
SM6061010TP	34	60	SM8060612TP	34	77	TA0750404R0	34	75
SM6061010TP	38	82	SM8060612TP	36	27	TA1030402R0	2	17
SM6061202TP	22	62	SM8060612TP	38	94	TA1250406R0	2	19
SM6061402TP	30	61	SM8060812TP	6	41	TA1270502R0	2	18
SM6061402TP	84	2	SM8060812TP	10	48	TA1550902R0	2	39
SM6061602TP	24	19	SM8060812TP	28	59	TA1550902R0	34	78
SM6061602TP	28	52	SM8060812TP	50	53	TA1650406R0	2	7
SM6061602TP	34	61	SM80608A2TP	6	47	WP0320501SC	50	59
SM6061602TP	38	83	SM80608A2TP	20	41	WP0320501SE	60	10
SM6061602TP	40	9	SM80608A2TP	22	99	WP0430800SD	22	84
SM6061802TP	10	28	SM8063012TR	26	13	WP0430800SD	70	51
SM6061802TP	28	53	SM8080812TP	6	51	WP0431005SP	36	44
SM6061802TP	68	61	SM9061203SE	78	12	WP0431005SP	38	90
SM6061802TP	72	75	SM9061853SR	26	20	WP0450000SD	50	60
SM6062002TP	22	63	SQ2050452MZ	66	57	WP0450000SD	52	61
SM6081552TP	24	18	SS2060310SP	8	26	WP0450801SP	64	22
SM6082002TP	44	11	SS3090710TP	56	28	WP0450801SP	68	85
SM8040412TP	2	48	SS4090515SP	60	5	WP0450801SP	72	98
SM8040412TP	22	64	SS4110615SP	56	29	WP0450846SP	66	20
SM8040412TP	28	54	SS4110615SP	58	36	WP0460556SD	56	32
SM8040612TP	14	25	SS6090410TP	8	51	WP0460556SD	58	39
SM8050412TP	10	30	SS6090910TP	22	67	WP0501016SD	56	30
SM8050412TP	32	38	SS6111052TP	28	60	WP0501016SD	58	38
SM8050412TP	34	64	SS6121210SP	36	60	WP0501016SD	78	23
SM8050412TP	36	47	SS6121860SP	32	40	WP0531001SC	74	22
SM8050502TP	64	21	SS6121860SP	34	65	WP0531001SC	76	28
SM8050512TP	66	39	SS7060610SP	50	55	WP0550800SP	52	63
SM8050512TP	70	39	SS7080510TP	8	42	WP0612066SP	14	21
SM8050612TP	14	35	SS7090510SP	58	37	WP0621016SD	44	23

## NUMERICAL INDEX OF PARTS

PART NO	PAGE	REF NO.
WP0621036SP	36	56
WP0651001SC	22	73
WP0740516SP	14	39
WP0740516SP	28	3
WP0740516SP	30	64
WP0820516SP	6	38
WP1612616SE	74	15
WP1612616SE	76	27
WP1751616SD	34	72
WS0451040KP	64	26
WS0510002KN	62	25
WS0510002KN	74	21
WS0510002KN	76	29
WT0530002KS	2	60
WT1780011KP	32	25
WT1780011KP	36	40
WZ1052010KP	24	11